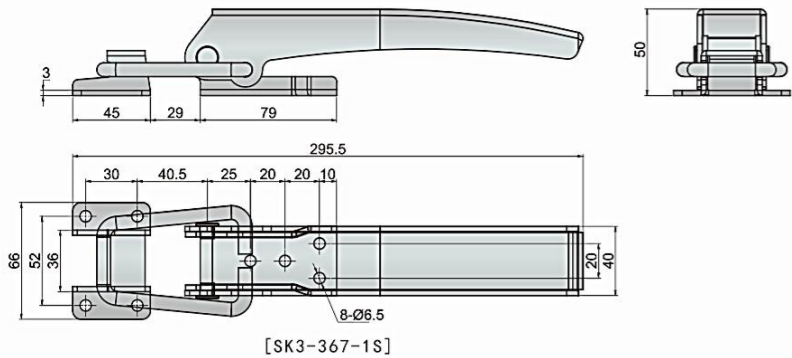


Draw Latch

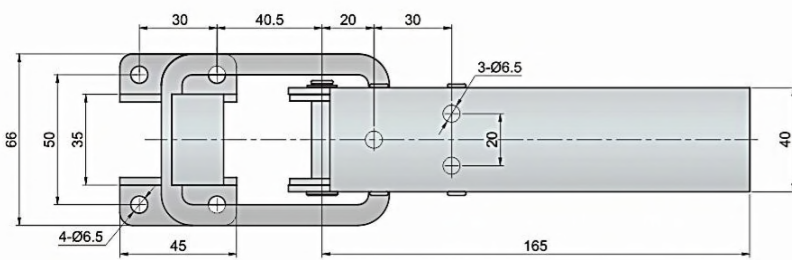
不锈钢 RoHS CAD SK3-367



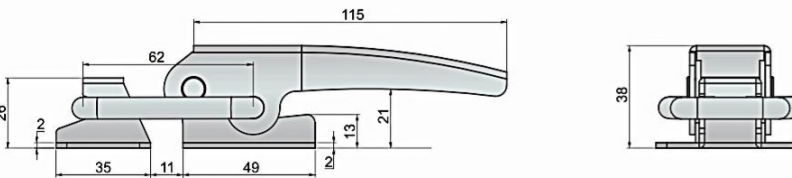
[SK3-367-1S] [SK3-367-2S] [SK3-367-3S] [SK3-367-3S-G]



[SK3-367-1S]



[SK3-367-2S]



[SK3-367-3S]
[SK3-367-3S-G]

Features

- Heavy duty draw latch, with strong compression force
- Large, medium and small types can be chosen
- SK3-367-3S-G with self-locking structure, can prevent the lock from automatically popping off when vibrating

Specification

- Material: Cold Rolled Sheet (SPCC) or Stainless Steel (SUS304)

- Finish: Zinc Plated or Wire-drawing Polishing

Application

- Industrial box; Chassis and box; Huge and force structural components

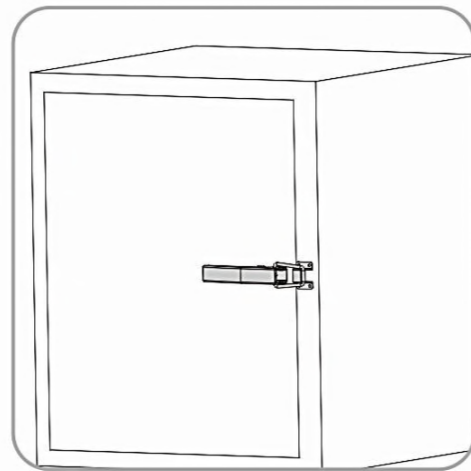
Date of delivery

- Common product inquiry is welcome

Remark

- The largest size needs to operate with two hands
- Suitable for left and right side latching

Installation Drawing



订货号 Item No.	RoHS	CAD	材质 Material	表面处理 Finish	重量(g) Weight(g)
SK3-367-1A	●	2D	冷轧板 Cold Rolled Sheet	镀锌 Zinc Plated	//
SK3-367-2A	●	2D	冷轧板 Cold Rolled Sheet	镀锌 Zinc Plated	496
SK3-367-3A	●	2D	冷轧板 Cold Rolled Sheet	镀锌 Zinc Plated	//
SK3-367-1S	●	2D	不锈钢 Stainless steel	拉丝抛光 Wire-drawing Polishing	707
SK3-367-2S	●	2D	不锈钢 Stainless steel	拉丝抛光 Wire-drawing Polishing	490
SK3-367-3S	●	2D	不锈钢 Stainless steel	拉丝抛光 Wire-drawing Polishing	264
SK3-367-3S-G	●	2D	不锈钢 Stainless steel	拉丝抛光 Wire-drawing Polishing	272

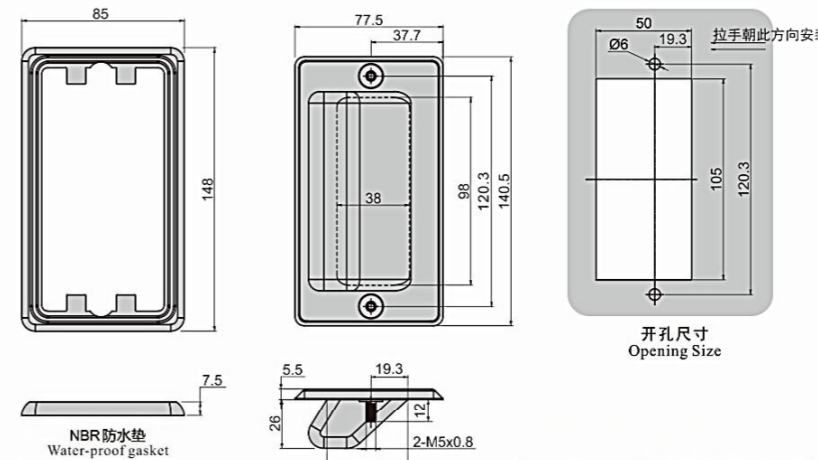
● : RoHS对应产品 ▲ : RoHS可对应产品

Pull Handle

RoHS CAD SK4-001



[SK4-001]



开孔尺寸
Opening Size

NBR防水垫
Water-proof gasket

订货号 Item No.	RoHS	CAD	重量(g) Weight(g)
SK4-001	●	2D	103

● : RoHS对应产品 ▲ : RoHS可对应产品

● Refers to the product instructed by RoHS ▲ Refers to the replaceable product instructed by RoHS

Features

- Concealed Installation, with NBR water-proof gasket
- M5 screw to fix, stronger tension bearing performance

Specification

- Material: Nylon (PA)
- Finish: Black

Application

- Industrial box; Chassis and box; Industrial equipment

Date of delivery

- Common product inquiry is welcome

Remark

- The handle margin is wrapped with water-proof gasket, stronger waterproof function

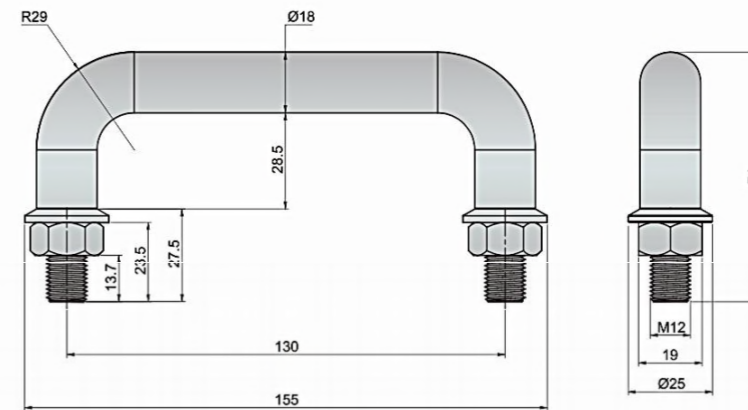


Handle

RoHS CAD SK4-002-1S



[SK4-002-1S]



Features

- Heavy duty handle in stainless steel SUS304 material
- Handle with beautiful base, elegant surface after installed
- With stronger tension bearing performance

Specification

- Material: Stainless Steel (SUS304)
- Finish: Vibration Grinding

Application

- Heavy machinery; Special vehicle; Military equipment

Date of delivery

- Common product inquiry is welcome

Remark

- Place beautiful base on thread rod when installing

订货号 Item No.	RoHS	CAD	重量(g) Weight(g)
SK4-002-1S	●	2D	450

● : RoHS对应产品 ▲ : RoHS可对应产品

● Refers to the product instructed by RoHS ▲ Refers to the replaceable product instructed by RoHS

轻型拉手
Handle

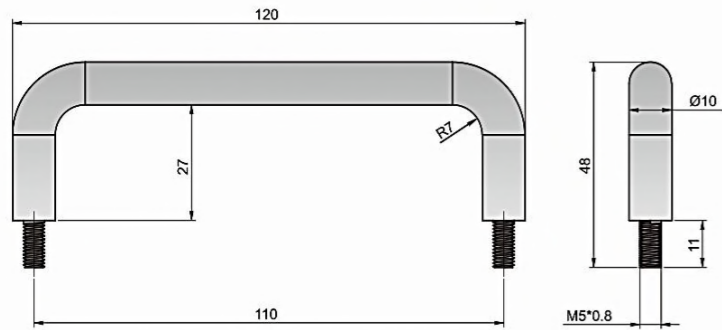
重型把手
Handle

Handle

SK4-002-2S



[SK4-002-2S]



Features

- Stainless Steel material, great corrosion resistance performance
- 10 mm diameter round rod, with stronger tension bearing performance

Specification

- Material:Stainless Steel (SUS304)
- Finish:Vibration Grinding

Application

- Heavy machinery; Special vehicle; CNC machine tool

Date of delivery

- Common product inquiry is welcome

Remark

- M5 stainless steel nut need to purchase additionally

订货号 Item No.	RoHS	GAD	重量(g) Weight(g)
SK4-002-2S	●	2D	103

● Refers to the product instructed by RoHS ▲ Refers to the replaceable product instructed by RoHS

Handle

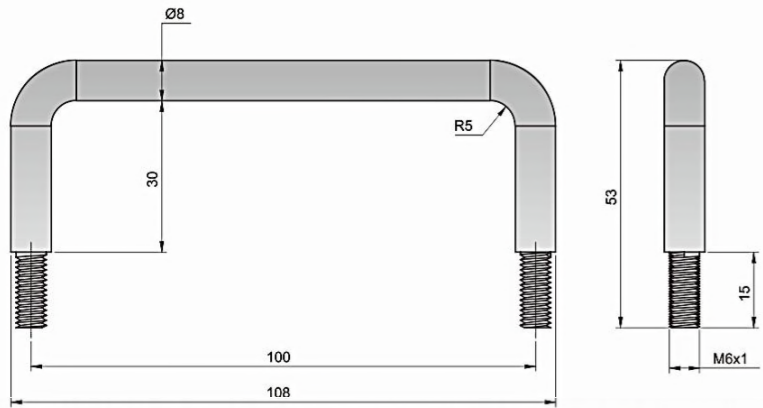
SK4-002



[SK4-002A]



[SK4-002S]



订货号 Item No.	RoHS	GAD	材质 Material	表面处理 Finish	重量(g) Weight(g)
SK4-002A	●	2D	冷轧板 Cold Rolled Sheet	镀亮铬 Bright Chrome Plated	69
SK4-002S	●	2D	不锈钢 Stainless Steel	振动研磨 Vibration Grinding	66

Features

- Handle with screw thread, easy to install
- Two materials can be chosen

Specification

- Material: Cold Rolled Sheet(SPCC) or Stainless Steel(SUS304)
- Finish: Bright Chrome Plated or Vibration Grinding

Application

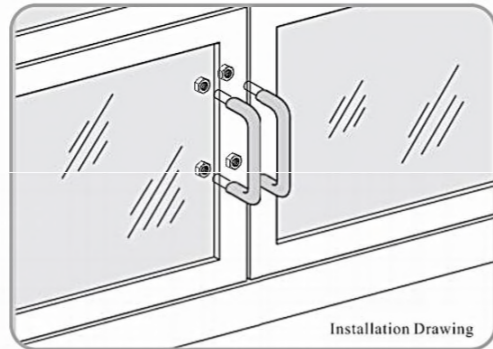
- Automatic equipment; Manufacturing; Electric cabinet box

Date of delivery

- Common product inquiry is welcome

Remark

- Different center distances can be customized



● Refers to the product instructed by RoHS ▲ Refers to the replaceable product instructed by RoHS

Handle

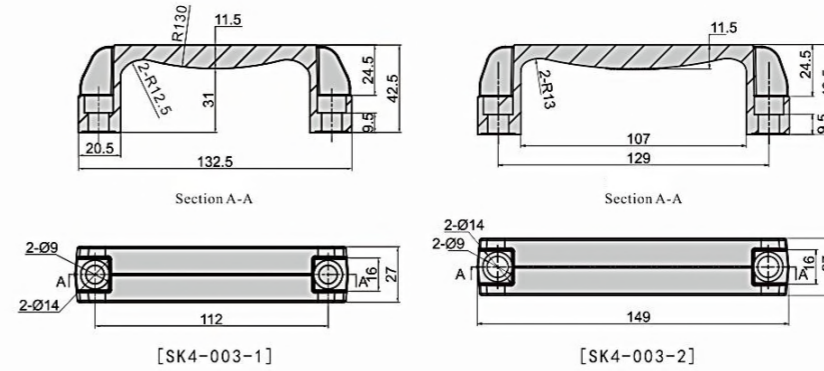
SK4-003



[SK4-003-1]



[SK4-003-2]



Features

- Strong and tough catcher, easy to install
- Large and small sizes can be chosen

Specification

- Material: ABS
- Finish: Black

Application

- Oven; Test chamber; Electric cabinet box

Date of delivery

- Common product inquiry is welcome

Remark

- With SHCS to install

订货号 Item No.	RoHS	GAD	重量(g) Weight(g)
SK4-003-1	●	2D	50
SK4-003-2	●	2D	56

● : RoHS对应产品 ▲ : RoHS可对应产品

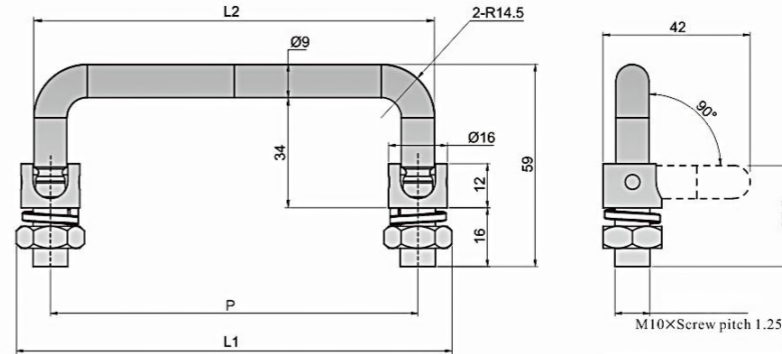
● Refers to the product instructed by RoHS ▲ Refers to the replaceable product instructed by RoHS

Handle

SK4-006



[SK4-006S]



Features

- With spring gasket, more solid to install
- The handle can be folded 90 degree and save space
- Stainless Steel material, great corrosion resistance performance

Specification

- Material: Iron or Stainless Steel(SUS304)
- Finish: Bright Chrome Plated or Vibration Grinding

Application

- Industrial oven; Test chamber; Automatic equipment

Date of delivery

- Common product inquiry is welcome

Remark

- Standard storage product center distance is 100mm

订货号 Item No.	RoHS	GAD	P	L1	L2	材质 Material	表面处理 Finish	重量(g) Weight(g)
SK4-006A-100	●	2D	100	112	109	铁 Iron	镀亮铬 Bright Chrome Plated	118
SK4-006A-120	●	2D	120	133.5	129	铁 Iron		145
SK4-006A-180	●	2D	180	194	189	铁 Iron		145
SK4-006S-100	●	2D	100	116	109	不锈钢 SUS304	振动研磨 Vibration Grinding	128
SK4-006S-120	●	2D	120	135.5	129	不锈钢 SUS304		141

● : RoHS对应产品 ▲ : RoHS可对应产品

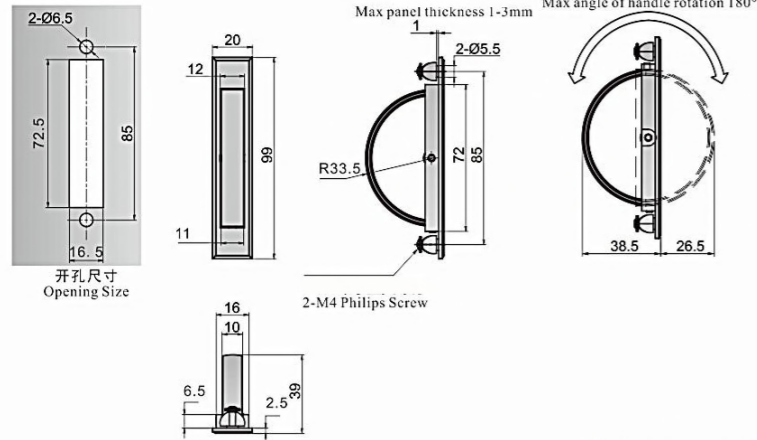
● Refers to the product instructed by RoHS ▲ Refers to the replaceable product instructed by RoHS

Handle

SK4-008



[SK4-008]



Features

- Easy to install, with strong tension bearing
- Detachable installation, simple and generous appearance

Specification

- Material: Zinc Alloy (ZDC)
- Finish: Pearl Chrome Plated

Application

- Oven; Test chamber; Electric cabinet box; etc.

Date of delivery

- Common product inquiry is welcome

Remark

- Concealed handle part reserve space inner plate

订货号 Item No.	RoHS	GAD	重量 (g) Weight (g)
SK4-008	●	▲	92

● Refers to the product instructed by RoHS ▲ Refers to the replaceable product instructed by RoHS

Handle

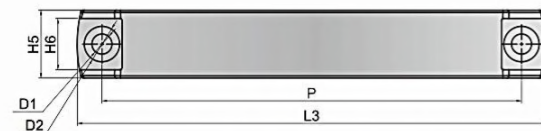
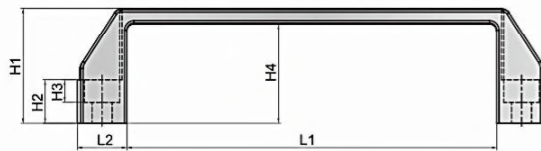
SK4-010



[SK4-010-90A]
[SK4-010-90]

[SK4-010-120A]
[SK4-010-120]
[SK4-010-132]

[SK4-010-180A]
[SK4-010-180]



Features

- Strong and tough catcher, easy to install
- Various center distances can be chosen

Specification

- Material: Aluminum Alloy or Nylon (PA)
- Finish: Black Painted or Black

Application

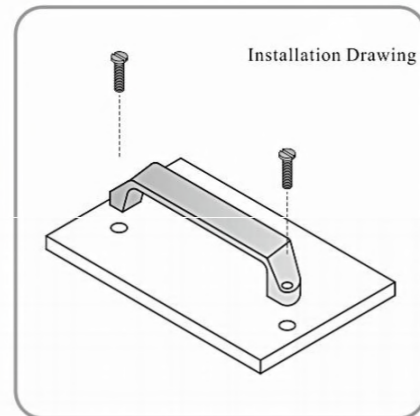
- Oven, Test chamber, Automatic equipment

Date of delivery

- Common product inquiry is welcome

Remark

- Suitable for left and right side opening



订货号 Item No.	RoHS	GAD	材质 Material	L1	L2	L3	P	H1	H2	H3	H4	H5	H6	D1	D2	重量 (g) Weight (g)
SK4-010-90A	●	2D	铝合金 Aluminum Alloy	72.5	17	106.5	90	36	12	6.5	30	19.5	13	6.5	12.5	42
SK4-010-90	●	2D	尼龙 Nylon	68	19	106	88	37	12	6.5	30	20.5	13	6.8	11	29
SK4-010-120A	●	2D	铝合金 Aluminum Alloy	96	22	140	120	41	15.5	9	33	24	10	8.5	14	71
SK4-010-120	●	2D	尼龙 Nylon	97	21.5	140	120	40.5	15.5	8.5	33	25.5	17.5	8.5	13.8	42
SK4-010-132	●	2D	尼龙 Nylon	112	20	152	132	42	15	9.5	34	24	17	9	14	38
SK4-010-180A	●	2D	铝合金 Aluminum Alloy	159	20.5	200	180	49	18.5	9.5	42	28.5	19	8.5	15	139
SK4-010-180	●	2D	尼龙 Nylon	154	23	200	180	51.5	18	9.5	42.5	28.5	19.5	8.5	13.5	71

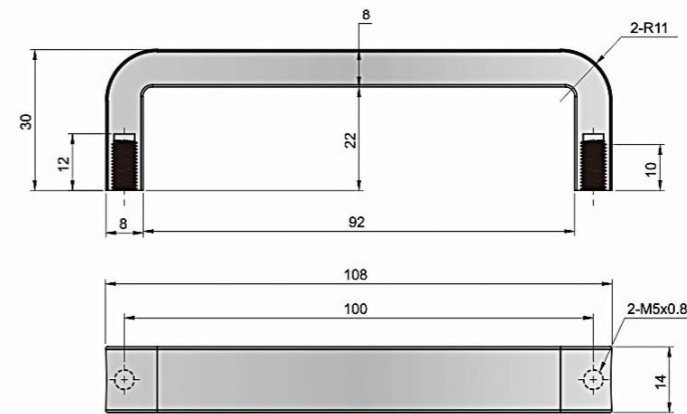
● Refers to the product instructed by RoHS ▲ Refers to the replaceable product instructed by RoHS

Handle

SK4-011



[SK4-011]



Features

- Inner installation, no mark appearance
- Concave designed surface, easy to handle, more simple and generous

Specification

- Material: Zinc Alloy (ZDC)
- Finish: Bright Chrome Plated

Application

- Industrial oven; Test chamber; Automatic equipment

Date of delivery

- Common product inquiry is welcome

Remark

- M5 stainless steel nut need to purchase additionally

订货号 Item No.	RoHS	GAD	重量 (g) Weight (g)
SK4-011	●	2D	78

● Refers to the product instructed by RoHS ▲ Refers to the replaceable product instructed by RoHS

Handle

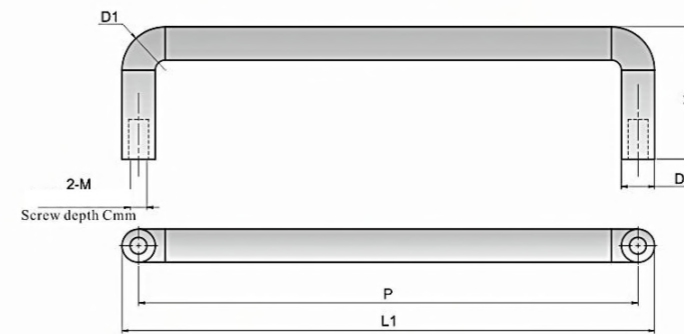
SK4-012



[SK4-012B]

[SK4-012W]

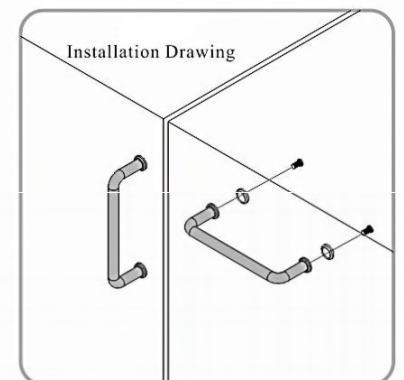
[SK4-012S]



订货号 (选配) Item No.	RoHS	GAD	材质 Material	重量 (g) Weight (g)	备注 Remark
53508SW	●	2D	不锈钢 Stainless steel	/	现有尺寸: 直径8mm 圆棒拉手美观座 Existing conventional with 8mm diameters round bar beautiful base

订货号 Item No.			RoHS	GAD	P	L1	H	D1	D2	C	M	
不锈钢/振动研磨 Stainless Steel Vibration Grinding	冷轧板/镀亮铬 Cold Rolled Sheet Bright Chrome Plated	冷轧板/烤漆黑色 Cold Rolled Sheet Black Painted	●	▲								
SK4-012-5006S	SK4-012-5006W	SK4-012-5006B	●	▲	2D	50	56	30	8	6	8	M4
SK4-012-6006S	SK4-012-6006W	SK4-012-6006B	●	▲	2D	60	66	26	9	6	8	M4
SK4-012-10008S	SK4-012-10008W	SK4-012-10008B	●	▲	2D	100	108	35	11	8	10	M5
SK4-012-12008S	SK4-012-12008W	SK4-012-12008B	●	▲	2D	120	128	34	11	8	10	M5
SK4-012-15010S	SK4-012-15010W	SK4-012-15010B	●	▲	2D	150	160	40	13	10	10	M6

● Refers to the product instructed by RoHS ▲ Refers to the replaceable product instructed by RoHS

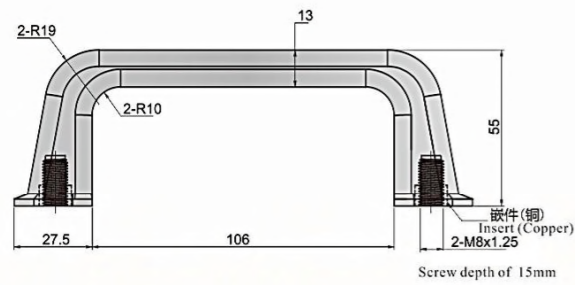


Handle

RoHS GAD SK4-013



[SK4-013]



Features

- Easy to install and with the strong tension bearing
- Inserted copper internal thread and installed from inside of board
- Round shape with very comfort grip feel while operation

Specification

- Material: ABS
- Finish: Black

Application

- Chassis, Audio equipment, Electric cabinet box

Date of delivery

- Common product inquiry is welcome

Remark

- Inner installation

订货号 Item No.	RoHS	GAD	重量(g) Weight(g)
SK4-013	●	▲	98

● Refers to the product instructed by RoHS ▲ Refers to the replaceable product instructed by RoHS

Pull Handle

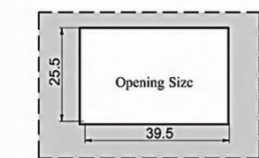
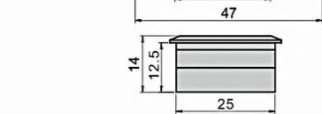
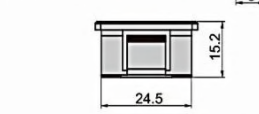
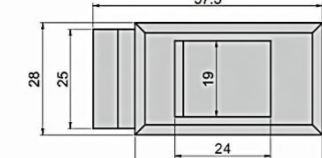
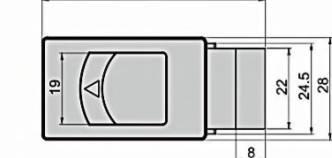
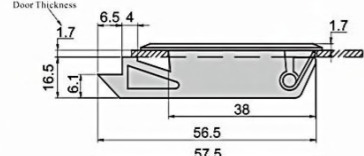
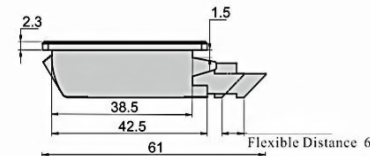
RoHS GAD SK4-014



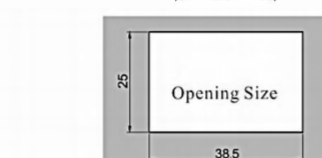
[SK4-014B]

[SK4-014H]

[SK4-015M]



[SK4-014]



[SK4-015]

Features

- Same function with different structure design
- Three types color can be chosen
- With fixable and spring structure functions

Specification

- Material: ABS
- Finish: Black/Grey/Greem-colored

Application

- Oven, Test chamber, Automation equipment

Date of delivery

- Common product inquiry is welcome

Remark

- Suitable for left and right side opening

订货号 Item No.	RoHS	GAD	颜色 Color	重量(g) Weight(g)
SK4-014B	●	▲	黑色 Black	9
SK4-014M	●	▲	米黄 Cream-colored	9
SK4-014H	●	▲	灰色 Grey	9
SK4-015B	●	▲	黑色 Black	10
SK4-015M	●	▲	米黄 Cream-colored	10
SK4-015H	●	▲	灰色 Grey	10

●: RoHS对应产品 ▲: RoHS可对应产品

● Refers to the product instructed by RoHS ▲ Refers to the replaceable product instructed by RoHS

Pull Handle

RoHS GAD SK4-017



[SK4-017-1B]
[SK4-017-2B]

[SK4-017-2]



[SK4-017-3B]



[SK4-017-4B]

Features

- One-touch installation is realizable
- Less embossment appearance, not impede used and no space occupation
- Different plate thickness and different size specification can be chosen
- With wonderful surface quality

Specification

- Material: ABS
- Finish: Black

Application

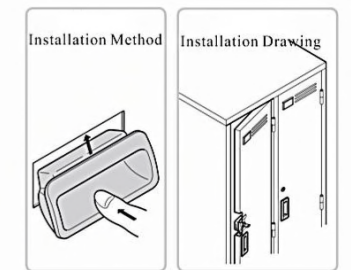
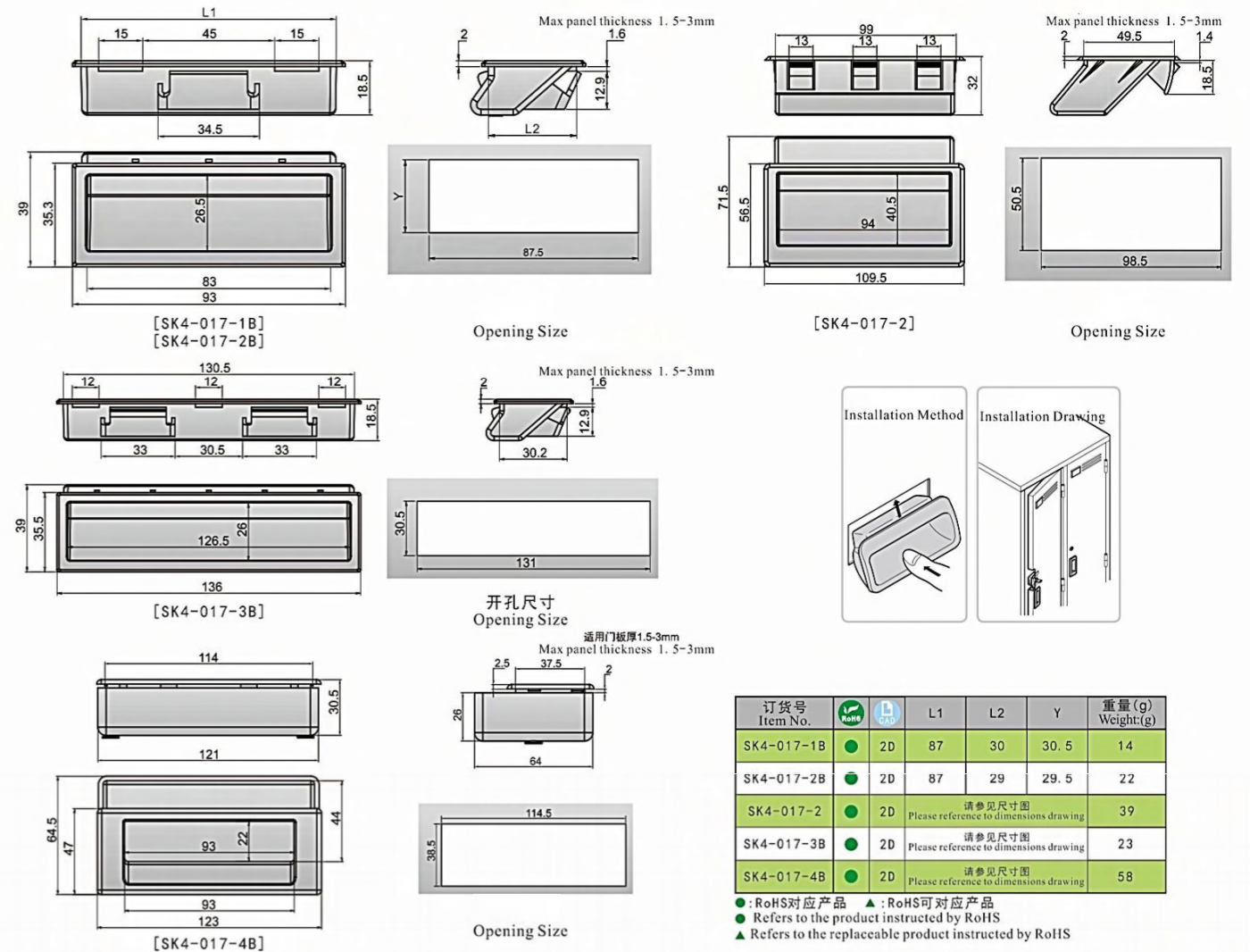
- Chassis and cabinet, Test chamber, Office equipment etc

Date of delivery

- Common product inquiry is welcome

Remark

- Suitable for door thickness: 1mm 1.5mm 2mm 2.5mm 3mm

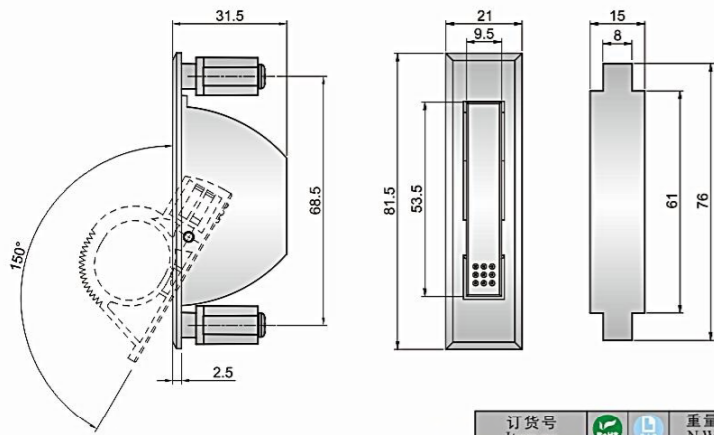


订货号 Item No.	RoHS	GAD	L1	L2	Y	重量(g) Weight(g)
SK4-017-1B	●	▲	87	30	30.5	14
SK4-017-2B	●	▲	87	29	29.5	22
SK4-017-2	●	▲	请参见尺寸图 Please reference to dimensions drawing			39
SK4-017-3B	●	▲	请参见尺寸图 Please reference to dimensions drawing			23
SK4-017-4B	●	▲	请参见尺寸图 Please reference to dimensions drawing			58

●: RoHS对应产品 ▲: RoHS可对应产品
● Refers to the product instructed by RoHS
▲ Refers to the replaceable product instructed by RoHS

Handle

RoHS GAD SK4-016



订货号 Item no.	RoHS	GAD	重量(g) N.W.(g)
SK4-016B	●	2D	21
SK4-016W	●	2D	21

● Refers to the product instructed by RoHS ▲ Refers to the replaceable product instructed by RoHS

Features

- Concealed installing and no mark when installation
- Two colors can be chosen
- Convenient and efficient to install

Specification

- Material: ABS
- Finish: Gray

Application

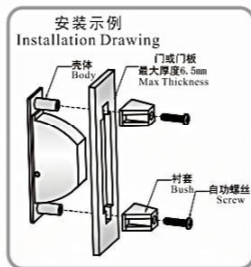
- Industrial oven machine, Test chamber, Automation equipment

Date of delivery

- Common product inquiry is welcome

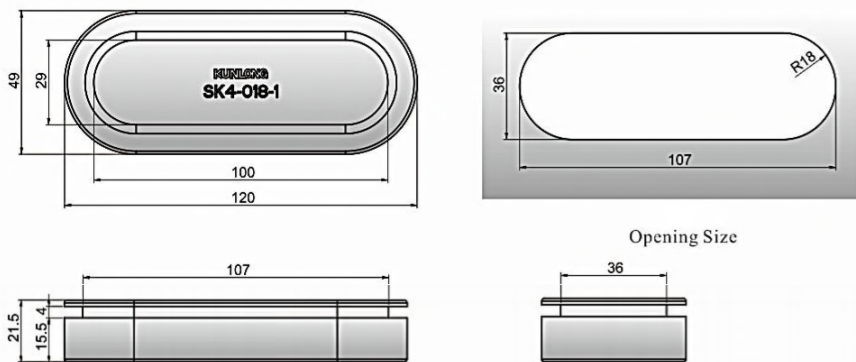
Remark

- With M4 screw and mounting base



Pull Handle

RoHS GAD SK4-018-1B



Features

- Boat shape structure design, simply and occupy less space
- Less embossment appearance, not impede used
- Very comfort grip feeling while operation

Specification

- Material: Rubber
- Finish: Black

Application

- Chassis cabinet, Lifting equipment door etc

Date of delivery

- Common product inquiry is welcome

Remark

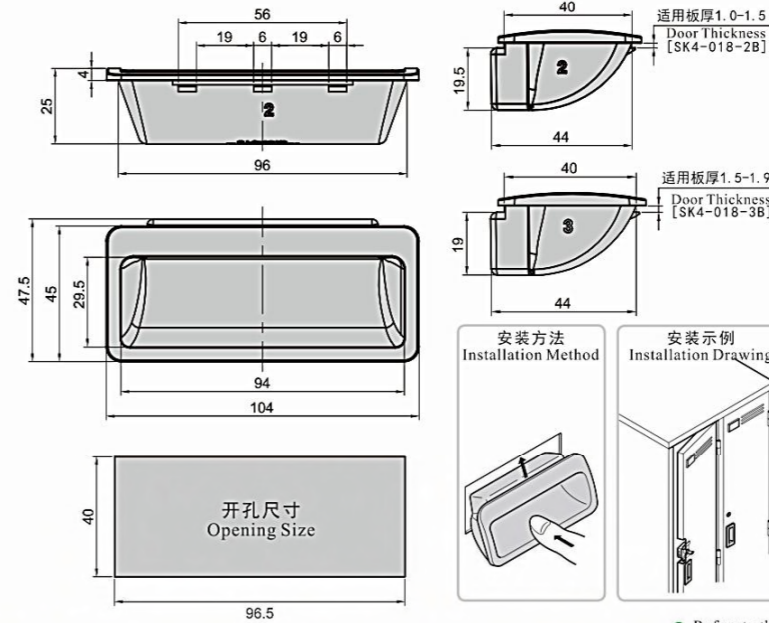
- Suitable for majority door thickness

订货号 Item No.	RoHS	GAD	重量(g) Weight(g)
SK4-018-1B	●	2D	37

● Refers to the product instructed by RoHS ▲ Refers to the replaceable product instructed by RoHS

Pull Handle

RoHS GAD SK4-018



Features

- One-touch installation is realizable
- Less embossment appearance, not impede used and no space occupation
- Two colors can be chosen
- With elegant surface

Specification

- Material: ABS
- Finish: Black or White

Application

- Chassis and cabinet, Test chamber, Office equipment etc

Date of delivery

- Common product inquiry is welcome

Remark

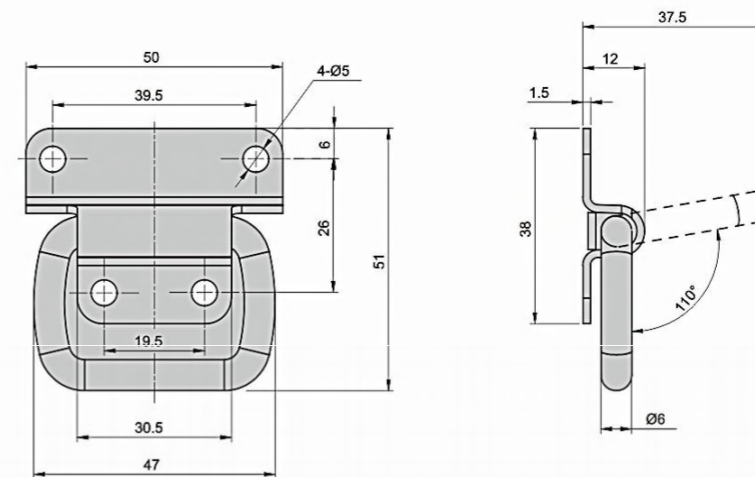
- Suitable for majority door thickness

订货号 Item No.	RoHS	GAD	适用板厚: T Suitable thickness: T	重量(g) Weight(g)
SK4-018-2B	●	2D	1.0-1.5	21
SK4-018-3B	●	2D	1.5-1.9	21
SK4-018H-3B	●	2D	1.6-1.8	21
SK4-018-4B	●	2D	2.0-2.3	21

● Refers to the product instructed by RoHS ▲ Refers to the replaceable product instructed by RoHS

Folding Handle

RoHS GAD SK4-019



Features

- Exposed to install
- Convenient and efficient to install
- The handle can be folded 110°

Specification

- Material: Stainless Steel(SUS304)
- Finish: Vibration Grinding

Application

- Industrial oven machine, Test chamber Automation equipment

Date of delivery

- Common product inquiry is welcome

Remark

- With M5 screw and mounting base

订货号 Item No.	RoHS	GAD	重量(g) Weight(g)
SK4-019	●	2D	50

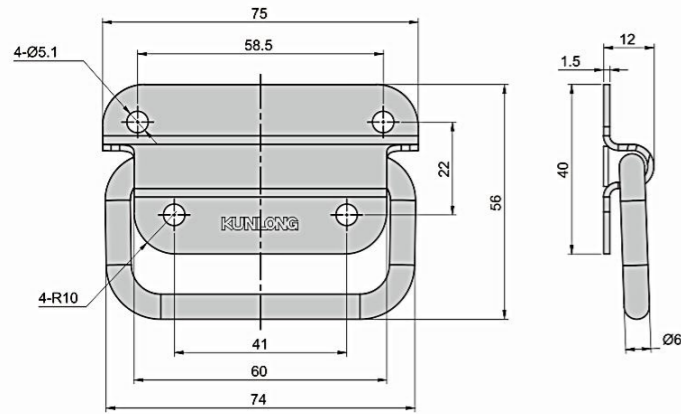
● Refers to the product instructed by RoHS ▲ Refers to the replaceable product instructed by RoHS

Folding Handle

SK4-020



[SK4-020]



Features

- Exposed to install
- Convenient and efficient to install
- The handle can be folded 85°~110°

Specification

- Material: Stainless Steel(SUS304)
- Finish: Vibration Grinding

Application
● Industrial oven machine, Test chamber Automation equipment

Date of delivery

- Common product inquiry is welcome

Remark

- With M5 screw and mounting base

订货号 Item No.	RoHS	CAD	重量(g) Weight(g)
SK4-020	●	2D	78

●: RoHS对应产品 ▲: RoHS可对应产品

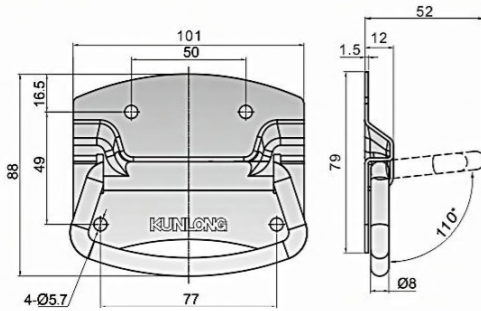
● Refers to the product instructed by RoHS ▲ Refers to the replaceable product instructed by RoHS

Folding Handle

SK4-021



[SK4-021-2S]



Features

- Stainless steel or iron material, stainless steel with strong corrosion resistance
- Easy to hold the handle
- Various sizes can be chosen
- With elegant surface
- The handle can be folded 110°

Specification

- Material: Cold Rolled Sheet(SPCC) or Stainless Steel(SUS304)

Finis: Bright Chrome Plated or Vibration Grinding

Application
● Chassis cabinet, Mini container, Measurement equipment

Date of delivery

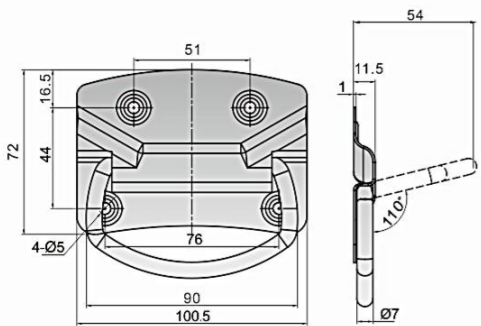
- Common product inquiry is welcome

Remark

- It will be better to use multiple of them



[SK4-021-3A]



订货号 Item No.	RoHS	CAD	荷重(kg) Capacity(kg)	材质 Material	表面处理 Finish	重量(g) Weight(g)
SK4-021-2S	●	2D	60	不锈钢 Stainless Steel	振动研磨 Vibration Grinding	170
SK4-021-3A	●	2D	50	冷轧板 Cold Rolled Sheet	镀铬 Bright Chrome Plated	112
SK4-021-3S	●	2D	75	不锈钢 Stainless Steel	振动研磨 Vibration Grinding	112

●: RoHS对应产品 ▲: RoHS可对应产品

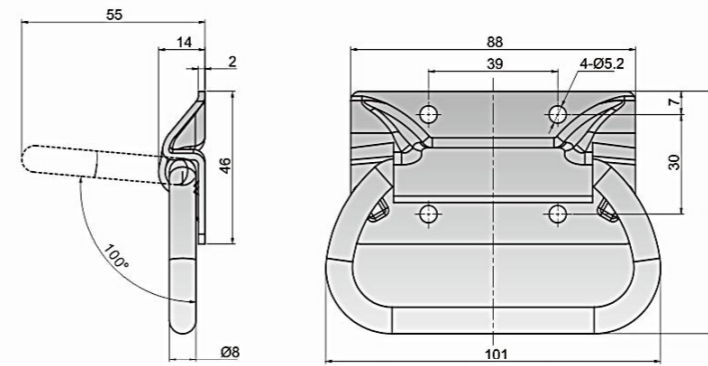
● Refers to the product instructed by RoHS ▲ Refers to the replaceable product instructed by RoHS

Folding Handle

SK4-022-1S



[SK4-022-1S]



Features

- Stainless Steel material, great corrosion resistance performance

- Easy to hold handle

- The handle can be folded 100°

Specification

- Material: Stainless Steel(SUS304)

- Finish: Vibration Grinding

Application

- Container, Mini container, Measuring equipment

Date of delivery

- Common product inquiry is welcome

Remark

- It will be better to use multiple of them

订货号 Item No.	RoHS	CAD	重量(g) Weight(g)
SK4-022-1S	●	2D	158

●: RoHS对应产品 ▲: RoHS可对应产品

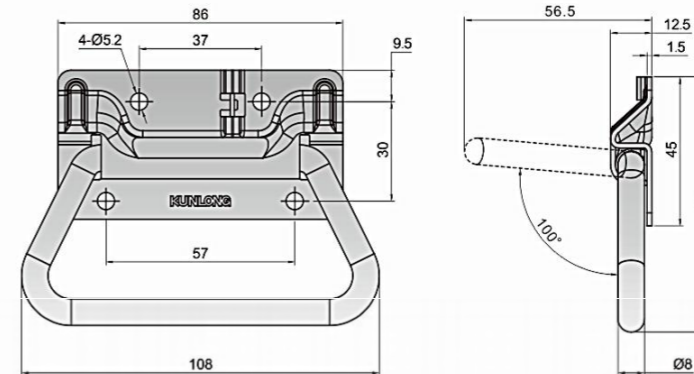
● Refers to the product instructed by RoHS ▲ Refers to the replaceable product instructed by RoHS

Folding Handle

SK4-022-2S



[SK4-022-2S]



Features

- Stainless Steel material, great corrosion resistance performance

- Easy to hold. With the spring structure and can be automatically rebound

- The handle can be folded 100°

Specification

- Material: Stainless Steel(SUS304)

- Finish: Vibration Grinding

Application

- Chassis cabinet, Mini container, Measurement equipment

Date of delivery

- Common product inquiry is welcome

Remark

- It will be better to use multiple of them

订货号 Item No.	RoHS	CAD	重量(g) Weight(g)
SK4-022-2S	●	2D	143

●: RoHS对应产品 ▲: RoHS可对应产品

● Refers to the product instructed by RoHS ▲ Refers to the replaceable product instructed by RoHS

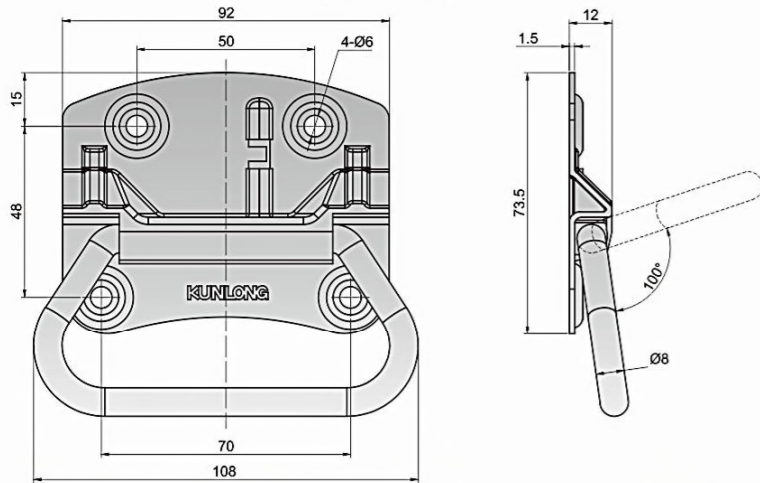
Folding Handle



SK4-022-3S



[SK4-022-3S]



Features

- Stainless Steel material, great corrosion resistance performance
- Easy to hold. With the spring structure and can be automatically rebound
- The handle can be folded 100°

Specification

- Material: Stainless Steel(SUS304)
- Finish: Vibration Grinding

Application

- Chassis cabinet, Mini container, Measurement equipment

Date of delivery

- Common product inquiry is welcome

Remark

- It will be better to use multiple of them

订货号 Item No.	RoHS	CAD	重量(g) Weight(g)
SK4-022-3S	●	▲	176

●: RoHS对应产品 ▲: RoHS可对应产品
● Refers to the product instructed by RoHS ▲ Refers to the replaceable product instructed by RoHS

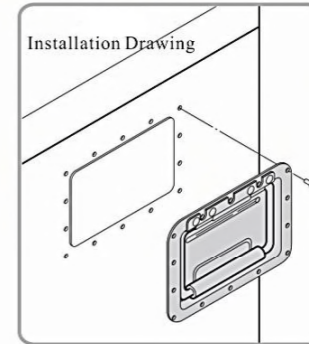
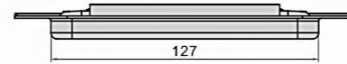
Folding Handle



SK4-024-1



[SK4-024-1]



Features

- Take the handle into the body by the resilience of the spring. No embossed
- Handle wrapped with rubber have a comfortable grip
- More solid with multi-holes installation
- The handle can be folded 90°

Specification

- Material: Cold Rolled Sheet(SPCC)
- Finish: Bright Chrome Plated

Application

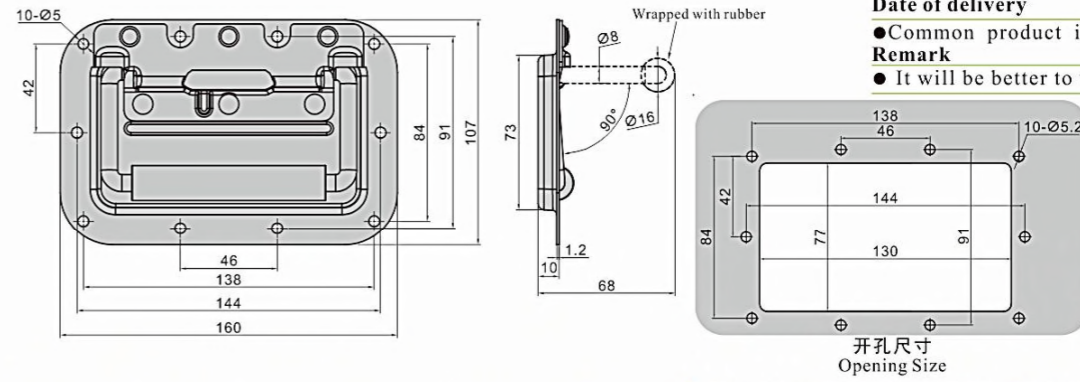
- Airplane, Vehicles with large container etc

Date of delivery

- Common product inquiry is welcome

Remark

- It will be better to use multiple of them



订货号 Item No.	RoHS	CAD	重量(g) Weight(g)
SK4-024-1	●	▲	356

●: RoHS对应产品 ▲: RoHS可对应产品
● Refers to the product instructed by RoHS ▲ Refers to the replaceable product instructed by RoHS

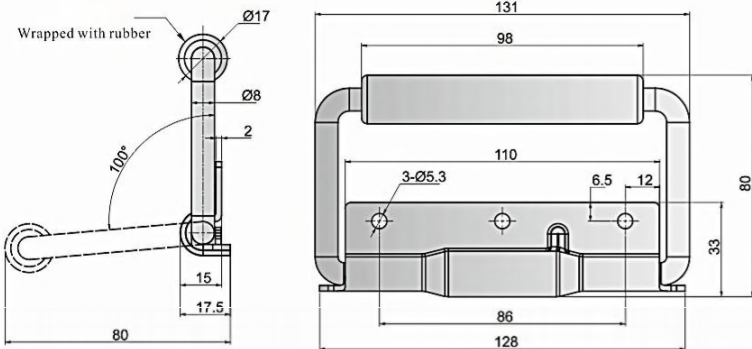
Folding Handle



SK4-023



[SK4-023]



Features

- The handle can be folded 90 degree
- Handle wrapped with rubber have a comfortable grip
- The handle can be folded 100°

Specification

- Material: Cold Rolled Sheet(SPCC)/ Stainless Steel(SUS304)
- Finish: Bright Chrome Plated/Black Painted/ Vibration Grinding

Application

- Container, Mini container, Measurement equipment

Date of delivery

- Common product inquiry is welcome

Remark

- It will be better to use multiple of them

订货号 Item No.	RoHS	CAD	材质 Material	表面处理 Finish	重量(g) Weight(g)
SK4-023	●	▲	冷轧板 Cold Rolled Sheet	镀亮铬 Bright Chrome Plated	236
SK4-023B	●	▲	冷轧板 Cold Rolled Sheet	烤漆黑色 Black Painted	235
SK4-023S	●	▲	不锈钢 Stainless Steel	振动研磨 Vibration Grinding	233

●: RoHS对应产品 ▲: RoHS可对应产品
● Refers to the product instructed by RoHS ▲ Refers to the replaceable product instructed by RoHS

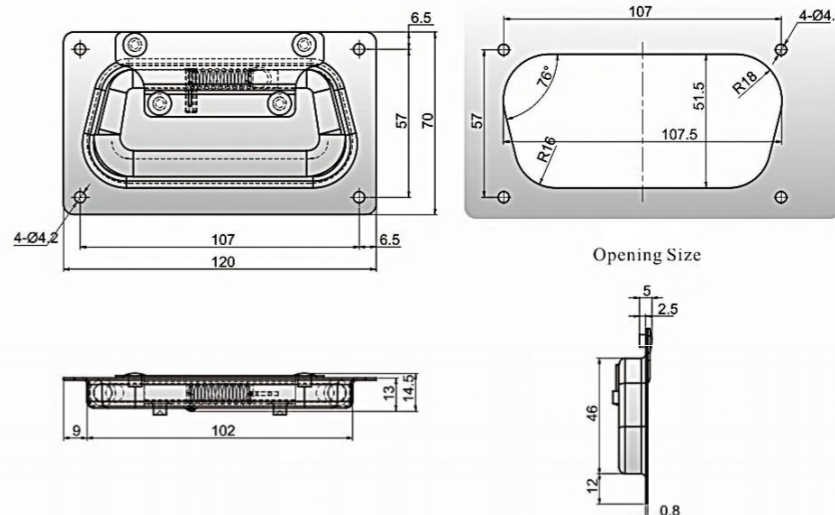
Folding Handle



SK4-024-2



[SK4-024-2]



Features

- Build-in bumper post and without noise while folding handle.
- Installing the inflection point buffer piece of rotating axle, with good feedback while opening and closing.
- Handle wrapped with rubber have a comfortable grip
- The handle can be folded 90°

Specification

- Material: Cold Rolled Sheet(SPCC)
- Finish: Bright Chrome Plated

Application

- Control equipment, Mini container, Measurement equipment etc

Date of delivery

- Common product inquiry is welcome

Remark

- It will be better to use multiple of them

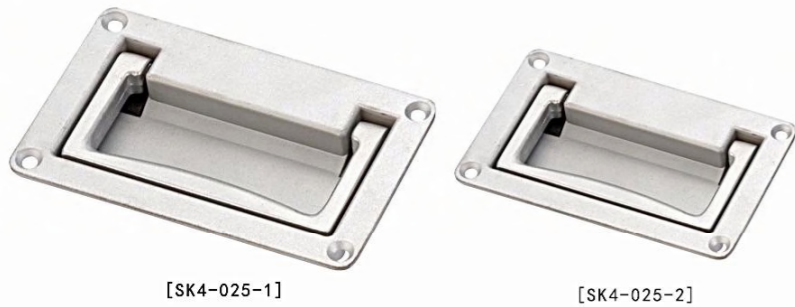
订货号 Item No.	RoHS	CAD	重量(g) Weight(g)
SK4-024-2	●	▲	157

●: RoHS对应产品 ▲: RoHS可对应产品
● Refers to the product instructed by RoHS ▲ Refers to the replaceable product instructed by RoHS

Folding Handle



SK4-025



[SK4-025-1]

[SK4-025-2]

Features

- Zinc alloy material and two sizes can be chosen
- Build-in bumper post and without noise while folding handle
- Installing the inflection point buffer piece of rotating axle, with good feedback while opening and closing
- The handle can be folded 100°

Specification

- Material: Zinc Alloy (ZDC)
- Finish: Pearl Chrome Plated

Application

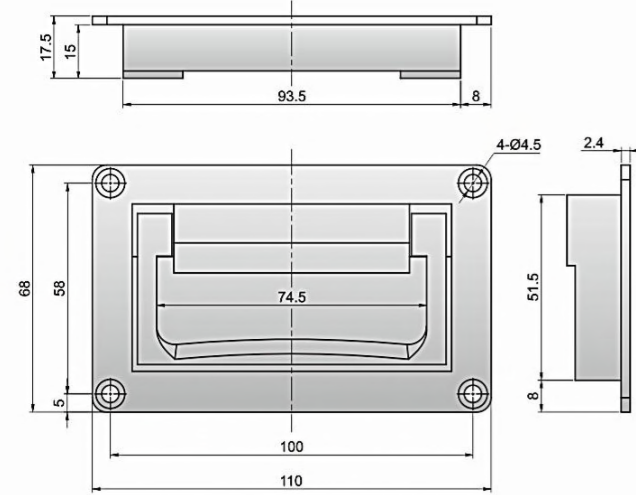
- Control equipment, Mini container, Measurement equipment etc

Date of delivery

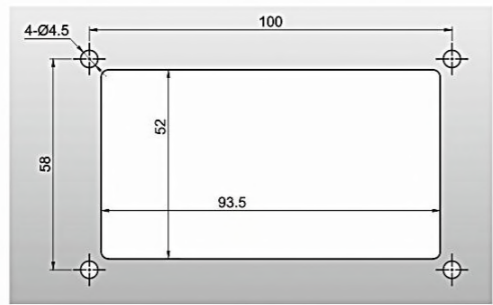
- Common product inquiry is welcome

Remark

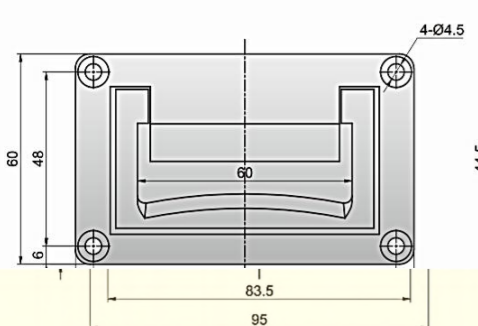
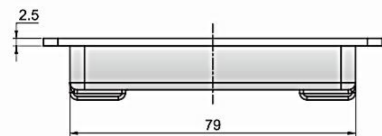
- It will be better to use multiple of them



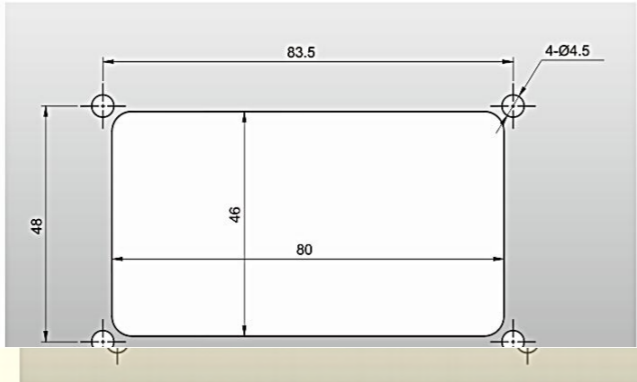
[SK4-025-1]



Opening Size



[SK4-025-2]



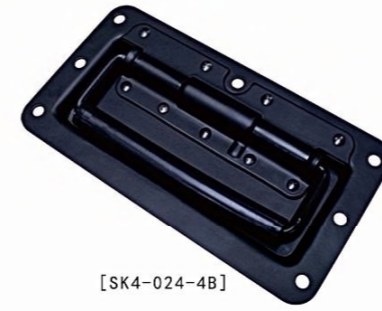
订货号 Item No.	RoHS	CAD	重量(g) Weight(g)
SK4-025-1	●	□	242
SK4-025-2	●	□	179

●: RoHS对应产品 ▲: RoHS可对应产品

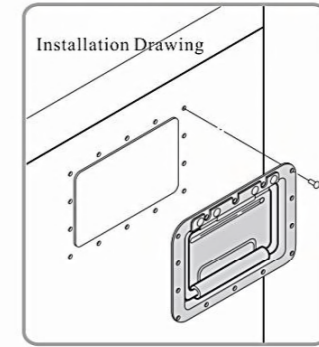
Folding Handle



SK4-024-4B



[SK4-024-4B]



Features

- Easy to hold, with spring device, handle can auto-return
- Handle wrapped with rubber have a comfortable grip
- The handle can be folded 100°

Specification

- Material: Cold Rolled Sheet (SPCC)
- Finish: Black Painted

Application

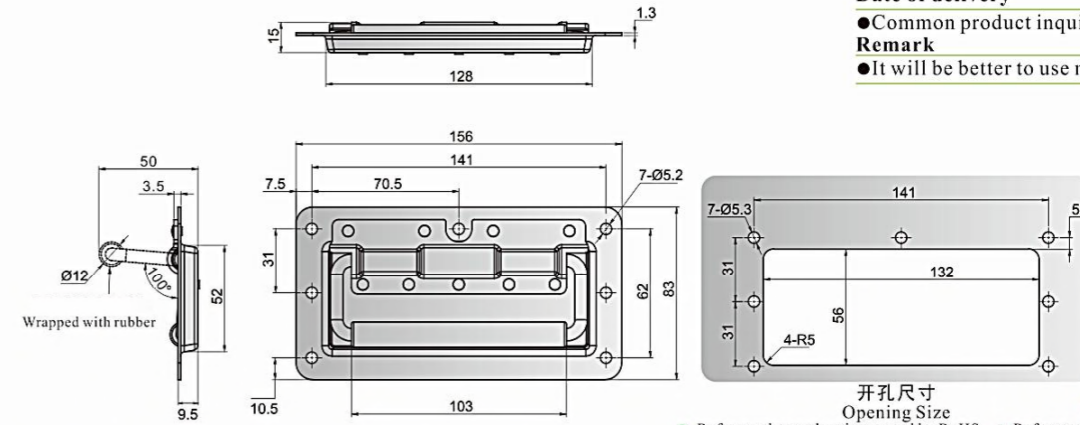
- Large container, Special Vehicle container

Date of delivery

- Common product inquiry is welcome

Remark

- It will be better to use multiple of them



开孔尺寸
Opening Size

订货号 Item No.	RoHS	CAD	重量(g) Weight(g)
SK4-024-4B	●	□	274

●: RoHS对应产品 ▲: RoHS可对应产品



SK4-027-1

特点

- 不锈钢材质，耐腐蚀性能好
- 嵌入式安装，表面突起少
- 四个沉孔安装，安装痕迹不会突起

规格 ● 材质: 不锈钢(SUS304)

- 表面处理: 拉丝抛光

用途 ● 紧急门、厨房设备、各种箱柜等

交货期 ● 常规产品... 敬请垂询

备注 ● 安装时请使用沉头螺丝安装

Features

- Stainless Steel material, great corrosion resistance performance

- Concealed installing and less embossment for the appearance

- Four countersinks to install and no installing mark

Specification

- Material: Stainless Steel (SUS304)

- Finish: Wire-drawing Polishing

Application

- Emergence door, Kitchen equipment, All kinds of cabinets

Date of delivery

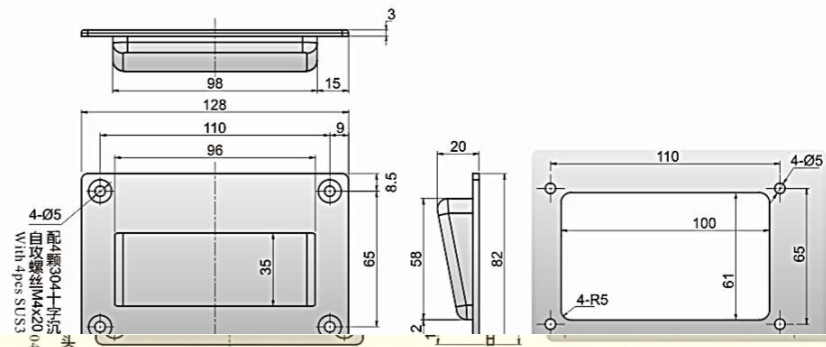
- Common product inquiry is welcome

Remark

- Please use countersink screw to install



[SK4-027-1]

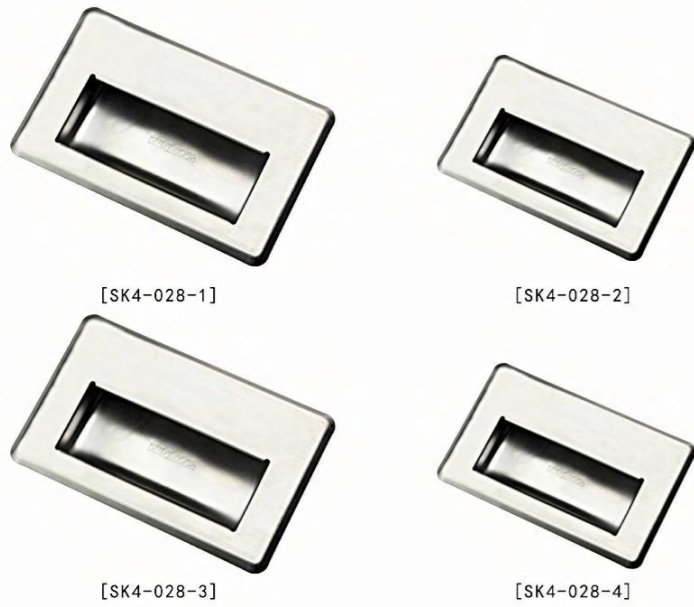


开孔尺寸
Opening Size

订货号 Item No.	RoHS	CAD	重量(g) Weight(g)
SK4-027-1	●	□	102

●: RoHS对应产品 ▲: RoHS可对应产品

●: Refers to the product instructed by RoHS ▲: Refers to the replaceable product instructed by RoHS



Features

- Stainless Steel material, great corrosion resistance performance
- Concealed installing and less embossment for the appearance
- Internal and external fixation install, no install mark

Specification

- Material:Stainless Steel(SUS304)
- Finish:Wire-drawing Polishing

Application

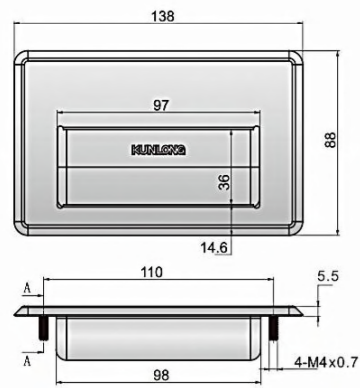
- Emergence door, Kitchen equipment, All kinds of cabinets

Date of delivery

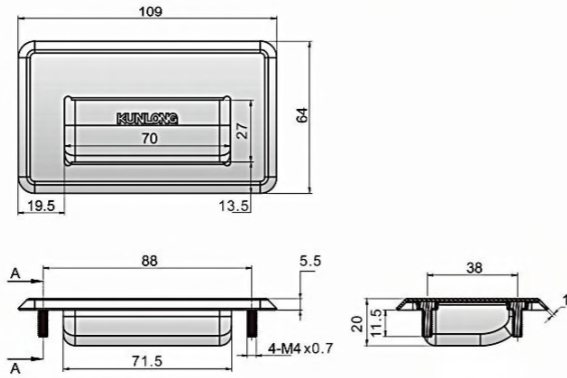
- Common product inquiry is welcome

Remark

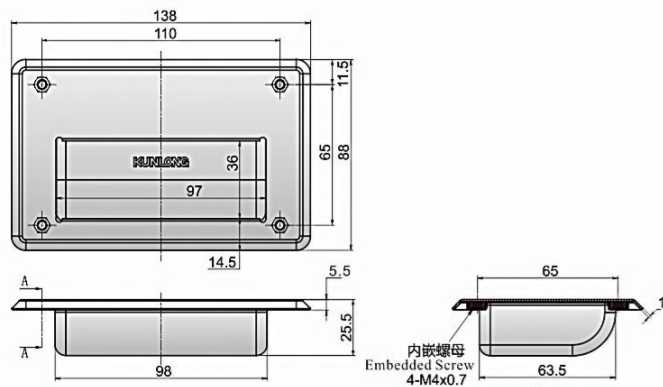
- Screw for internal fixation and nut for external fixation need to purchase additionally



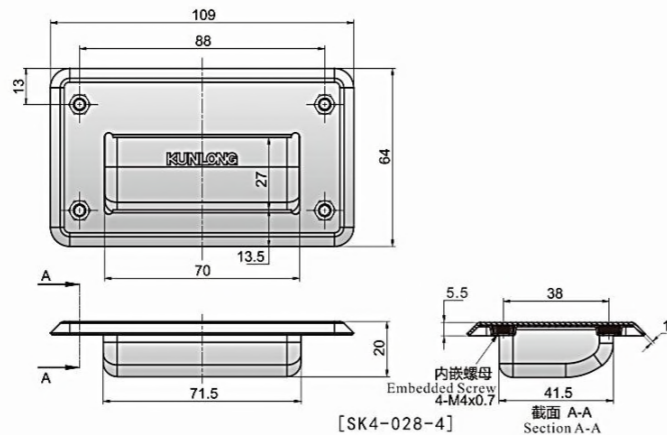
[SK4-028-1]



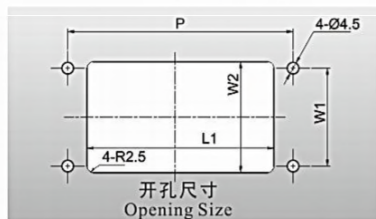
[SK4-028-2]



[SK4-028-3]

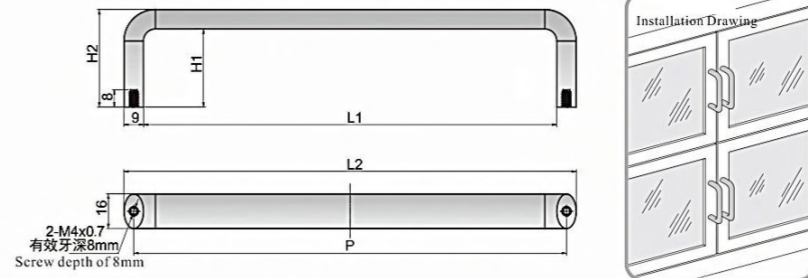


[SK4-028-4]



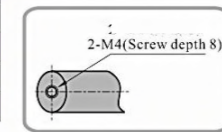
● Refers to the product instructed by RoHS ▲ Refers to the replaceable product instructed by RoHS

订货号 Item No.	RoHS	GAD	P	L1	W1	W2	荷重(KG) Capacity (kg)	重量(g) Weight(g)	固定 Fixed Way	
SK4-028-1	●	●	20	110	103	65	50	154	外固定 Outer Fixed	
SK4-028-2	●	●	20	88	74	38	44	50	93	外固定 Outer Fixed
SK4-028-3	●	●	20	110	103	65	50	153	内固定 Inner Fixed	
SK4-028-4	●	●	20	88	74	38	44	50	90	内固定 Inner Fixed

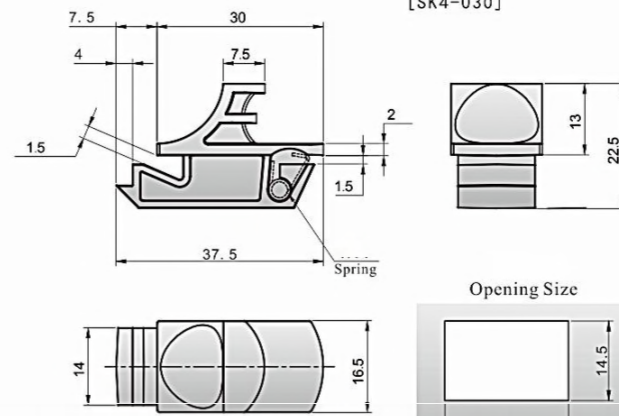


订货号 Item No.	RoHS	GAD	L1	L2	P	H1	H2	
阳极黑色 Black Anodizing	●	●	2D	41	59	50	16	25
阳极银色 Silver Anodizing	●	●	2D	91	109	100	26	35
SK4-029-1B	●	●	2D	141	159	150	29	38
SK4-029-2B	●	●	2D	191	209	200	36	45
SK4-029-3B	●	●	2D	51	59	60	25	34
SK4-029-4B	●	●	2D	51	59	60	25	34
SK4-029-5W	●	●	2D	51	59	60	25	34

●: RoHS对应产品 ▲: RoHS可对应产品
● Refers to the product instructed by RoHS ▲ Refers to the replaceable product instructed by RoHS



[SK4-030]



订货号 Item No.	RoHS	GAD	重量(g) Weight(g)
SK4-030	●	●	20

●: RoHS对应产品 ▲: RoHS可对应产品
● Refers to the product instructed by RoHS ▲ Refers to the replaceable product instructed by RoHS

Features

- Small volume and convenient to install and operate
- Single finger snap-in installation, no need other fastener
- Single finger can operate to open the door

Specification

- Material:ABS
- Finish:Black

Application

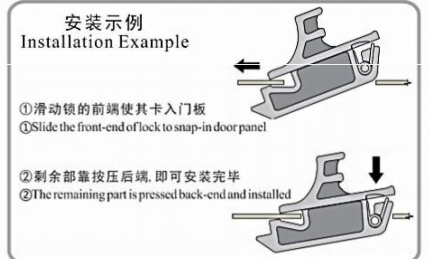
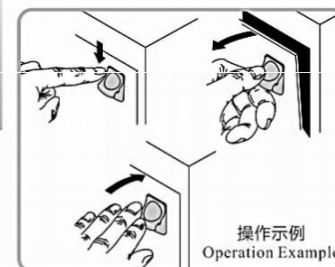
- Mini cabinet, Sever, Detachable door panel etc

Date of delivery

- Common product inquiry is welcome

Remark

- It will be better to use multiple of them

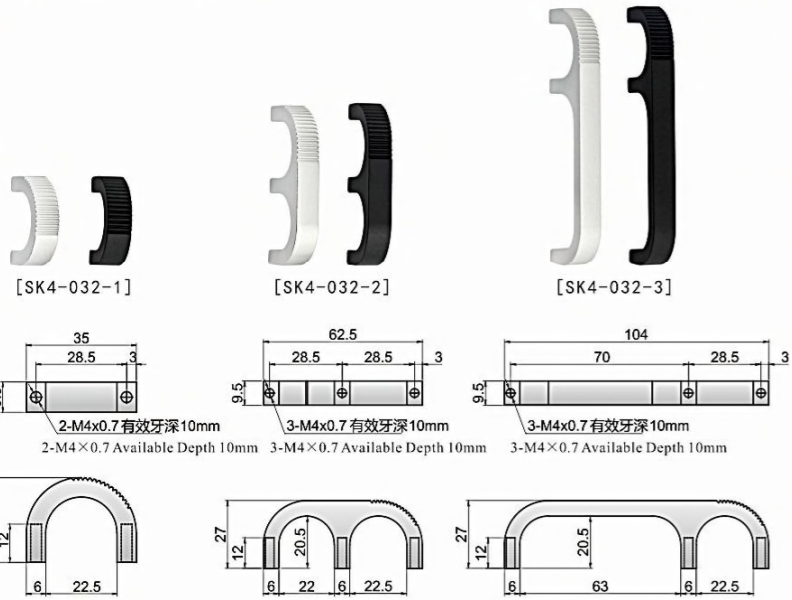


安装示例
Installation Example

①滑动锁的前端使其卡入门板
①Slide the front-end of lock to snap-in door panel

②剩余部靠按压后端,即可安装完毕
②The remaining part is pressed back-end and installed

操作示例
Operation Example



Features

- Installed from inside of board and no installing mark, high intensity
- Simple and practical structure design, three types of single node, two node and three node specifications
- Two colors can be chosen

Specification

- Material: Aluminum Alloy
- Finish: Black Anodizing or Silver Anodizing

Application

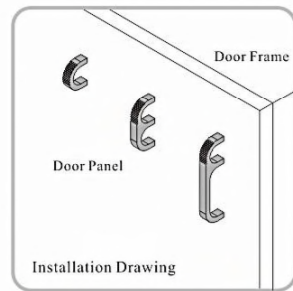
- Chassis cabinet, Electric cabinet, Mini cabinet etc

Date of delivery

- Common product inquiry is welcome

Remark

- M4 screw need to purchase additionally



订货号 Item No.		RoHS	CAD	重量(g) Weight: (g)
阳极黑色 Black Anodizing	阳极银色 Silver Anodizing	●	▲	
SK4-032-1B	SK4-032-1W	●	2D	9
SK4-032-2B	SK4-032-2W	●	2D	17
SK4-032-3B	SK4-032-3W	●	2D	24

● Refers to the product instructed by RoHS ▲ Refers to the replaceable product instructed by RoHS

特点

- 安装方便快捷
- 隐藏式嵌入安装,外观简洁大方
- 规格 ● 材 质: 锌合金(ZDC)
- 表面处理: 镀亮铬
- 用途 ● 适用于测量设备, 通讯设备等
- 交货期 ● 常规产品...敬请垂询

Features

- Easy to install
- Detachable installation, simple and generous appearance

Specification

- Material: Zinc Alloy (ZDC)
- Finish: Bright Chrome Plated

Application

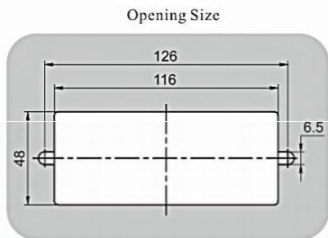
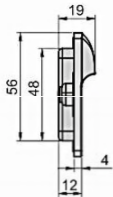
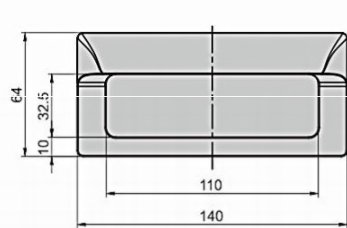
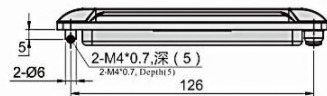
- Test chamber; Communication equipment; etc.

Date of delivery

- Common product inquiry is welcome



[SK4-034W-1]



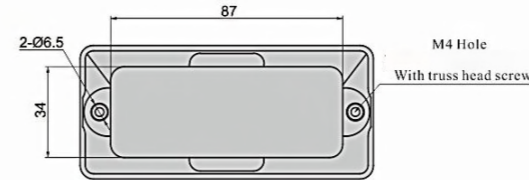
订货号 Item No.	RoHS	CAD	重量(g) Weight: (g)
SK4-034W-1	●	2D	107

● Refers to the product instructed by RoHS ▲ Refers to the replaceable product instructed by RoHS

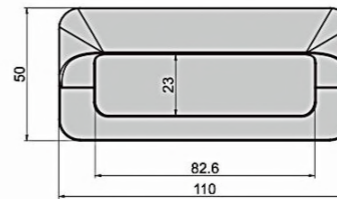
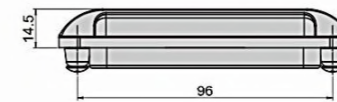
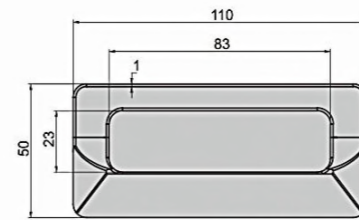
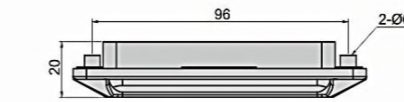


[SK4-034W-2]

[SK4-034B]



[SK4-034W-2]



[SK4-034B]

Features

- Easy to install
- Detachable installation, simple and generous appearance
- Waterproof rubber gasket is optional

Specification

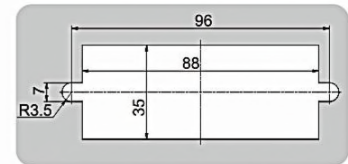
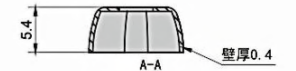
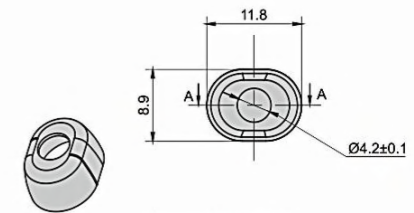
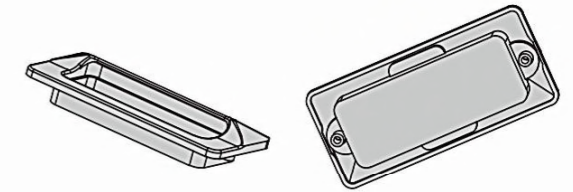
- Material: Zinc Alloy (ZDC)
- Finish: Bright Chrome Plated or Black Painted

Application

- Test chamber; Communication equipment; etc

Date of delivery

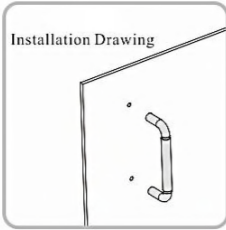
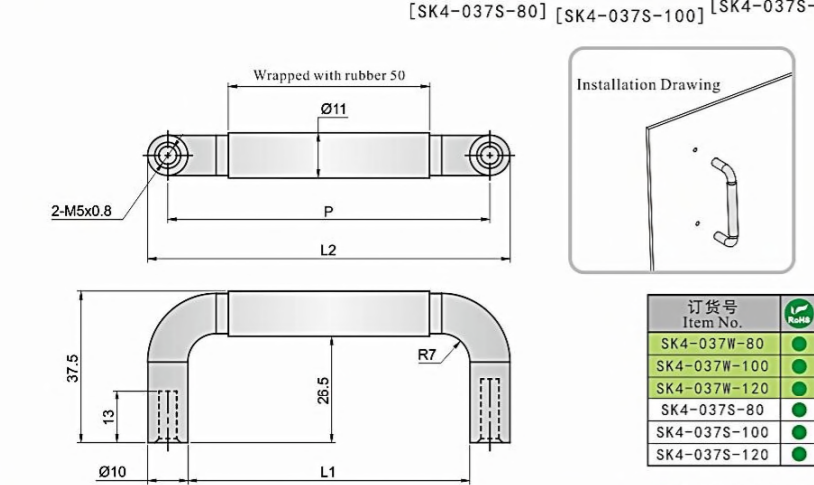
- Common product inquiry is welcome



Opening Size

订货号 Item No.	RoHS	CAD	材质 Material	颜色 Color	重量(g) Weight: (g)
SK4-034W-2	●	2D	锌合金 Zinc Alloy	亮色 Bright	90
SK4-034B	●	2D	锌合金 Zinc Alloy	黑色 Black	90

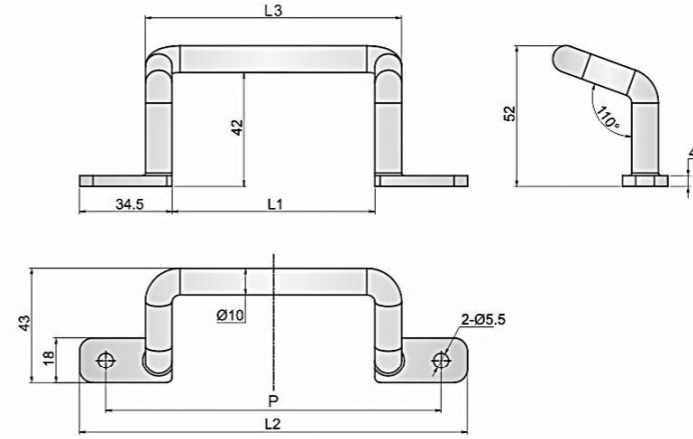
● Refers to the product instructed by RoHS ▲ Refers to the replaceable product instructed by RoHS



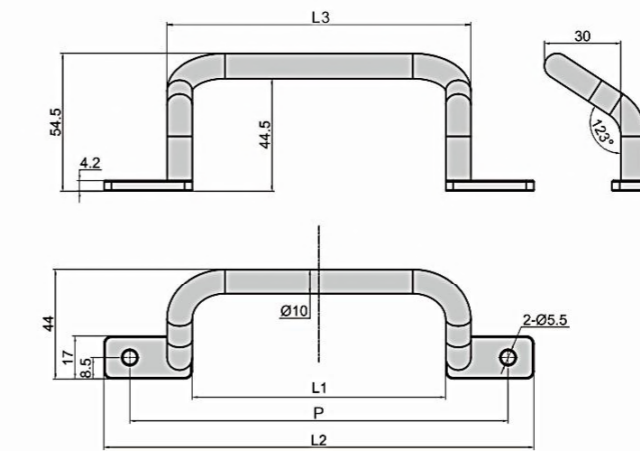
订货号 Item No.	RoHS	CAD	材质 Material	L1	L2	P	重量(g) Weight: (g)
SK4-037W-80	●	▲	冷轧板 Cold Rolled Sheet	70	90	80	78
SK4-037W-100	●	▲		90	110	100	91
SK4-037W-120	●	▲		110	130	120	103
SK4-037S-80	●	▲	不锈钢 Stainless Steel	70	90	80	76
SK4-037S-100	●	▲		90	110	100	90
SK4-037S-120	●	▲		110	130	120	100

● Refers to the product instructed by RoHS ▲ Refers to the replaceable product instructed by RoHS

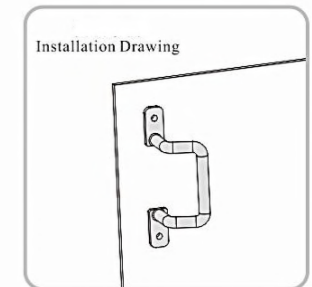
- Features**
- Handle wrapped with rubber have a comfortable grip
 - With beautiful cover, nice appearance
- Specification**
- Material:Stainless Steel(SUS304) or Cold Rolled Sheet(SPCC)
 - Finish: Bright Polishing or Bright Chrome Plated
- Application**
- New energy equipment; CNC machine tools; Automation equipment;
- Date of delivery**
- Common product inquiry is welcome
- Remark**
- Different center distance product can be customized



[SK4-039S-125]



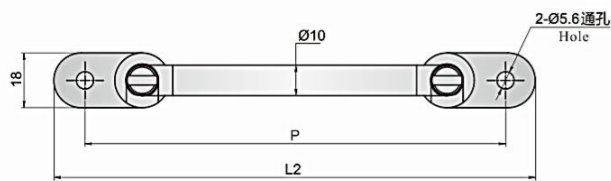
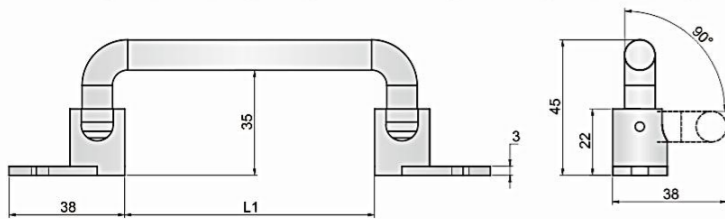
[SK4-039S-150]



订货号 Item No.	RoHS	CAD	L1	L2	L3	P	重量(g) Weight: (g)
SK4-039S-125	●	▲	75.5	145.5	95.5	125	150
SK4-039S-150	●	▲	100.5	170.5	120.5	150	//

● Refers to the product instructed by RoHS ▲ Refers to the replaceable product instructed by RoHS

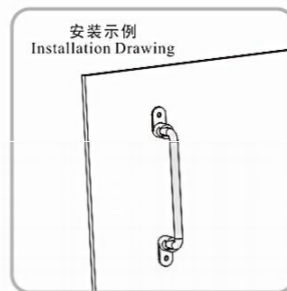
- Features**
- Slope design, simple and practical structure.
 - Stainless Steel material, great corrosion resistance performance
- Specification**
- Material:Stainless Steel(SUS304)
 - Finish:Bright Polishing
- Application**
- Chassis cabinet; Automation equipment; Food machinery
- Date of delivery**
- Common product inquiry is welcome



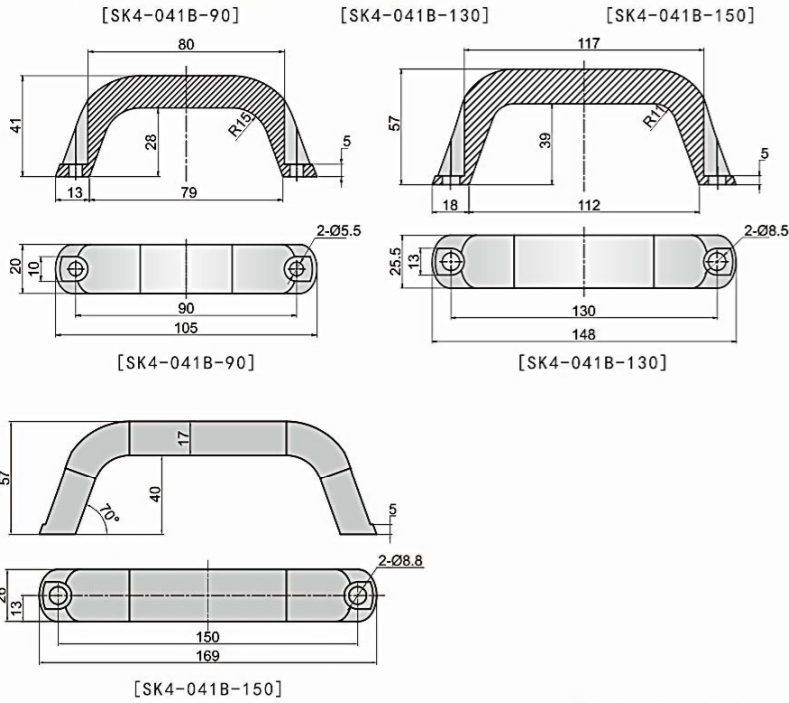
订货号 Item No.	RoHS	CAD	L1	L2	P	重量(g) Weight: (g)
SK4-038S-138	●	▲	82	158	138	158
SK4-038S-158	●	▲	102	178	158	171
SK4-038S-180	●	▲	124	200	180.5	184

● Refers to the product instructed by RoHS ▲ Refers to the replaceable product instructed by RoHS

- Features**
- The handle can be folded 90 degree, save more space
 - Stainless Steel material, great corrosion resistance performance
- Specification**
- Material:Stainless steel (SUS 304)
 - Finish:Bright Polishing
- Application**
- Automation equipment; Communication cabinet; Terminal equipment
- Date of delivery**
- Common product inquiry is welcome



RoHS GAD SK4-041



Features

- Anodizing finishing, nice appearance
- Elliptical design, have more comfortable grip and ergonomic

Specification

- Material: Aluminum Alloy
- Finish: Black Anodizing

Application

- Automation equipment; Communication cabinet; Sheet metal cabinet

Date of delivery

- Common product inquiry is welcome



订货号 Item No.	RoHS	GAD	重量(g) Weight: (g)
SK4-041B-90	●	▲	63
SK4-041B-130	●	▲	153
SK4-041B-150	●	▲	//

● Refers to the product instructed by RoHS ▲ Refers to the replaceable product instructed by RoHS

RoHS GAD SK4-043

特点

- 阳极处理, 美观大方
- 椭圆设计, 符合人体工学, 握感更佳
- 规格 ● 材 质: 铝合金
- 表面处理: 阳极黑色
- 用途 ● 自动化设备, 通讯机柜, 钣金机箱
- 交货期 ● 常规产品... 敬请垂询

Features

- Anodizing finishing, nice appearance
- Elliptical design, have more comfortable grip and ergonomic

Specification

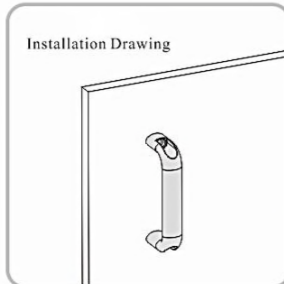
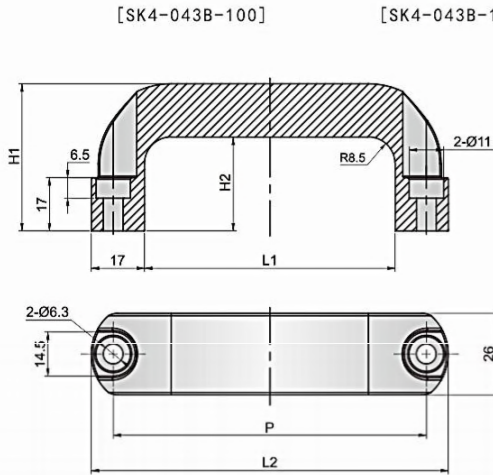
- Material: Aluminum Alloy
- Finish: Black Anodizing

Application

- Automation equipment; Communication cabinet; Sheet metal cabinet

Date of delivery

- Common product inquiry is welcome



订货号 Item No.	RoHS	GAD	H1	H2	L1	L2	P	重量(g) Weight: (g)
SK4-043B-100	●	▲	47	30	80	114	100	120
SK4-043B-116	●	▲	54.5	37.5	96	130	116	140
SK4-043B-132	●	▲	55	38	135.5	147.5	132	157

● Refers to the product instructed by RoHS ▲ Refers to the replaceable product instructed by RoHS

NEW RoHS GAD SK4-100



[SK4-100]

Features

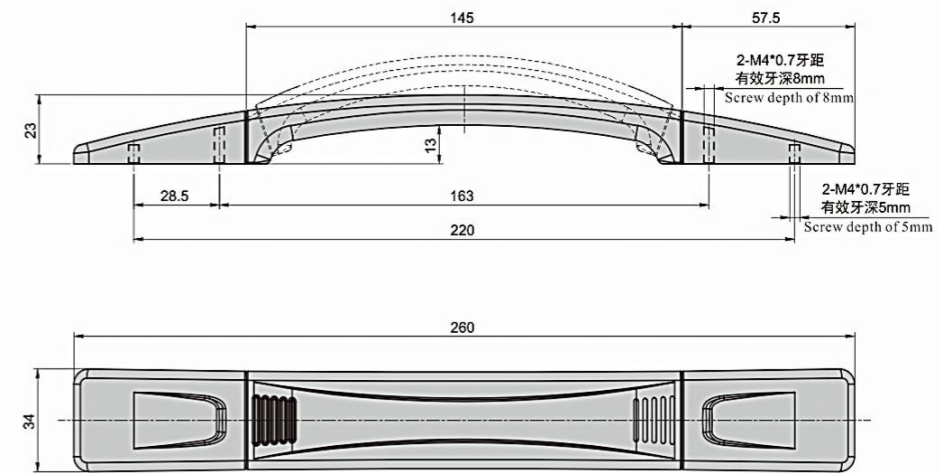
- Retractable and rebound
- Low overall height
- Conforming to human engineering, comfort grip

Specification

- Material: Elastic Steel and Rubber
- Finish: Black Painted

Application

- Heavy bags
- Date of delivery
- Common product inquiry is welcome

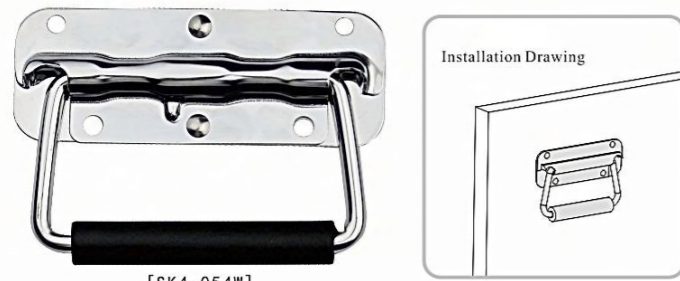


订货号 Item No.	RoHS	GAD	重量(g) Weight: (g)
SK4-100	●	▲	120

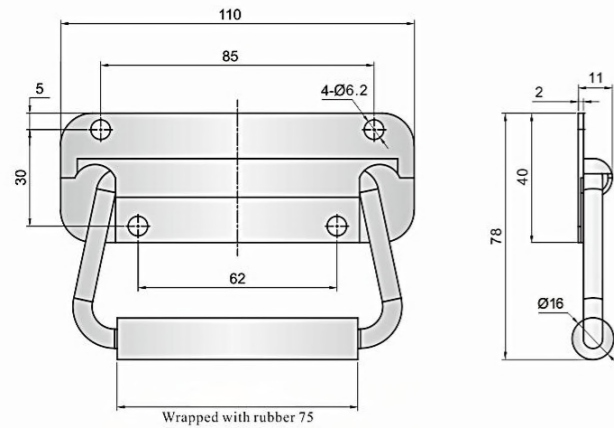
● Refers to the product instructed by RoHS ▲ Refers to the replaceable product instructed by RoHS



SK4-054W



[SK4-054W]



Features

- Handle wrapped with rubber have a comfortable grip
- With spring device, handle can auto-return
- The handle can be folded 90°

Specification

- Material: Cold Rolled Sheet(SPCC)
- Finish: Bright Chrome Plated

Application

- Automation equipment, Refitted vehicle, Transit box

Date of delivery

- Common product inquiry is welcome

Remark

- Different finish can be customized

订货号 Item No.	RoHS	CAD	重量(g) Weight:(g)
SK4-054W	●	2D	141

●: RoHS对应产品 ▲: RoHS可对应产品

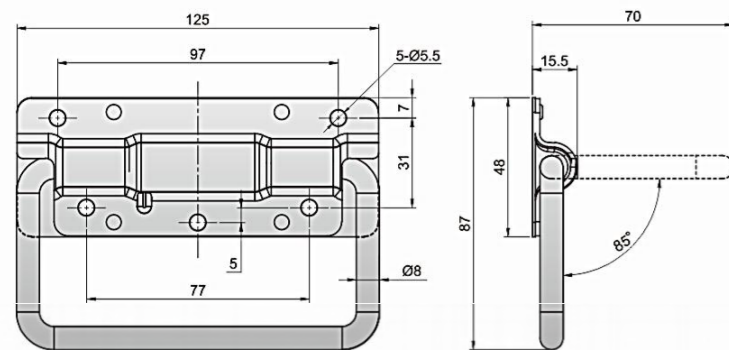
● Refers to the product instructed by RoHS ▲ Refers to the replaceable product instructed by RoHS



SK4-123



[SK4-123]



Features

- Easy to hold
- With spring device, handle can auto-return
- Stainless Steel material, great corrosion resistance performance
- The handle can be folded 85°

Specification

- Material: Stainless Steel(SUS304)
- Finish: Vibration Grinding

Application

- Chassis cabinet; Mini container; Measuring equipment; etc.

Date of delivery

- Common product inquiry is welcome

订货号 Item No.	RoHS	CAD	重量(g) Weight:(g)
SK4-123	●	2D	250

●: RoHS对应产品 ▲: RoHS可对应产品

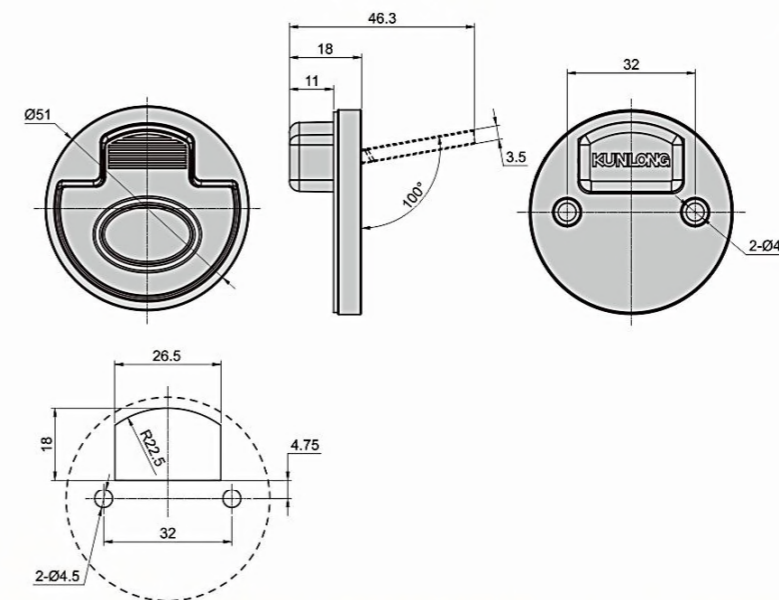
● Refers to the product instructed by RoHS ▲ Refers to the replaceable product instructed by RoHS



SK4-9001X



[SK4-9001X]



Opening Size

Features

- Inner spring structure, easy to open
- Stainless Steel material, great corrosion resistance performance

- Low profile with 100 degree opening angle

Specification

- Material: Stainless Steel(SUS316)
- Finish: Bright Polishing

Application

- Control equipment; Mini container; Measuring equipment; etc.

Date of delivery

- Common product inquiry is welcome

订货号 Item No.	RoHS	CAD	重量(g) Weight:(g)
SK4-9001X	●	2D	80

●: RoHS对应产品 ▲: RoHS可对应产品

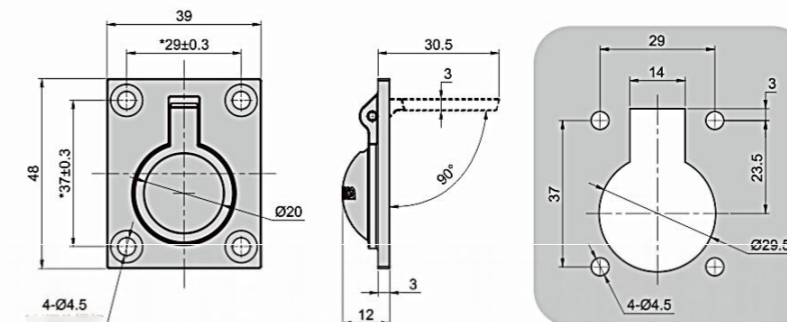
● Refers to the product instructed by RoHS ▲ Refers to the replaceable product instructed by RoHS



SK4-9002-1X



[SK4-9002-1X]



Opening Size

Features

- Stainless Steel material, great corrosion resistance performance
- Concealed installing and less embossment for the appearance

- Low profile with 90 degree opening angle

Specification

- Material: Stainless Steel(SUS316)
- Finish: Bright Polishing

Application

- Control equipment; Mini container; Measuring equipment; etc.

Date of delivery

- Common product inquiry is welcome

订货号 Item No.	RoHS	CAD	重量(g) Weight:(g)
SK4-9002-1X	●	2D	50

●: RoHS对应产品 ▲: RoHS可对应产品

● Refers to the product instructed by RoHS ▲ Refers to the replaceable product instructed by RoHS



SK4-024-4S



[SK4-024-4S]

Features

- Stainless Steel material, great corrosion resistance performance
- Concealed installing and less embossment for the appearance, handle can auto-return
- The handle can be folded 110°

Specification

- Material: Stainless Steel (SUS304)
- Finish: Vibration Grinding

Application

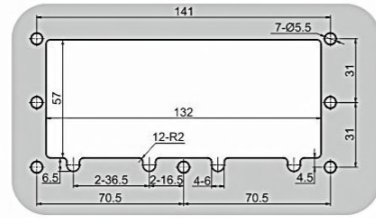
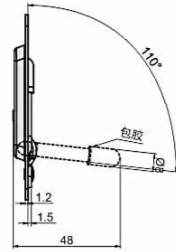
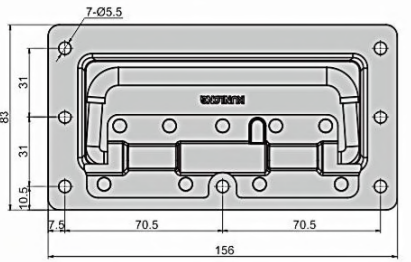
- Emergence exit; Kitchen equipment; All kinds of cabinets; etc.

Date of delivery

- Common product inquiry is welcome

Remark

- It will be better to use multiple of them



开孔尺寸
Opening Size

● Refers to the product instructed by RoHS ▲ Refers to the replaceable product instructed by RoHS

订货号 Item No.	RoHS	GAD	重量 (g) Weight (g)
SK4-024-4S	●	2D	232

SK4-024-5S



[SK4-024-5S]

Features

- Stainless Steel material, great corrosion resistance performance
- Concealed installing and less embossment for the appearance, handle can auto-return
- The handle can be folded 110°

Specification

- Material: Stainless Steel (SUS304)
- Finish: Vibration Grinding

Application

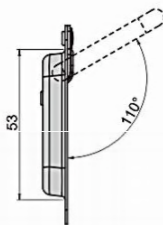
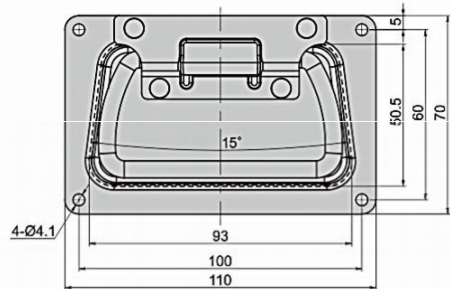
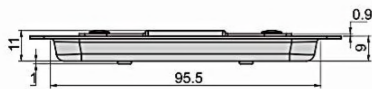
- Emergence exit; Kitchen equipment; All kinds of cabinets; etc.

Date of delivery

- Common product inquiry is welcome

Remark

- It will be better to use multiple of them



● Refers to the product instructed by RoHS ▲ Refers to the replaceable product instructed by RoHS

订货号 Item No.	RoHS	GAD	重量 (g) Weight (g)
SK4-024-5S	●	2D	123



SK4-9002-2X



[SK4-9002-2X]

Features

- Stainless Steel material, great corrosion resistance performance
- Concealed installing and less embossment for the appearance
- Low profile with 100 degree opening angle

Specification

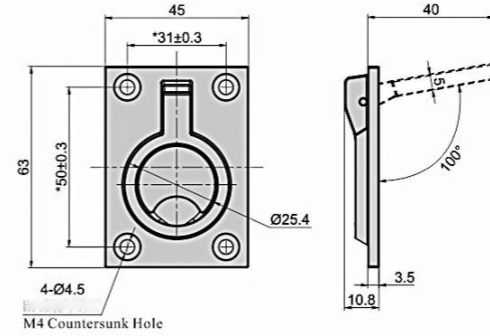
- Material: Stainless Steel (SUS316)
- Finish: Bright Polishing

Application

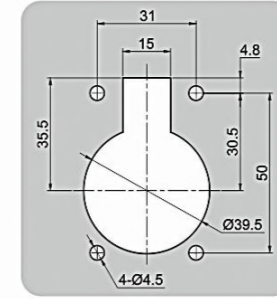
- Control equipment; Mini container; Measuring equipment; etc.

Date of delivery

- Common product inquiry is welcome



M4 Countersunk Hole



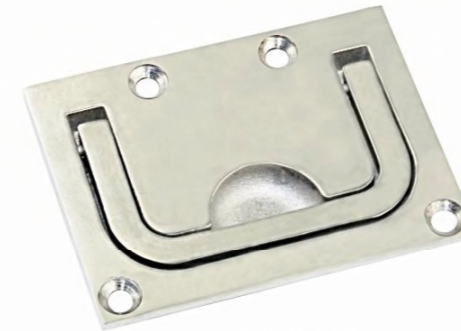
Opening Size

● Refers to the product instructed by RoHS ▲ Refers to the replaceable product instructed by RoHS

订货号 Item No.	RoHS	GAD	重量 (g) Weight (g)
SK4-9002-2X	●	2D	90



SK4-9003X



[SK4-9003X]

Features

- Stainless Steel material, great corrosion resistance performance
- Concealed installing and less embossment for the appearance
- Low profile with 90 degree opening angle

Specification

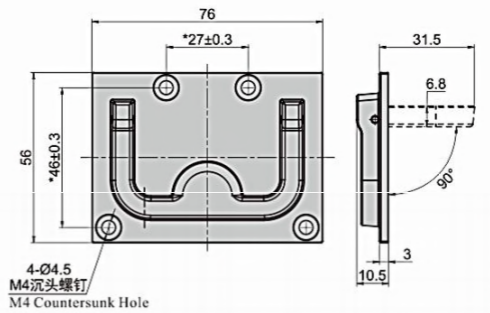
- Material: Stainless Steel (SUS316)
- Finish: Bright Polishing

Application

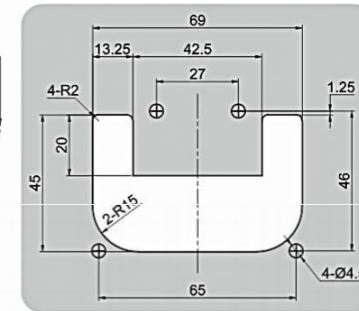
- Control equipment; Mini container; Measuring equipment; etc.

Date of delivery

- Common product inquiry is welcome



M4 沉头螺钉
M4 Countersunk Hole



开孔尺寸
Opening Size

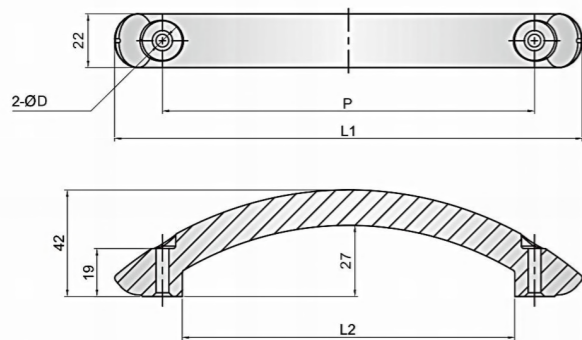
● Refers to the product instructed by RoHS ▲ Refers to the replaceable product instructed by RoHS

订货号 Item No.	RoHS	GAD	重量 (g) Weight (g)
SK4-9003X	●	2D	130



[SK4-045A-100]

[SK4-045A-150]



订货号 Item No.	RoHS	CAD	P	L1	L2	D	重量(g) Weight: (g)
SK4-045A-100	●	📄	2D	100	136.5	84.5	5.5
SK4-045A-150	●	📄	2D	150	188	134	5.5

●: RoHS对应产品 ▲: RoHS可对应产品
● Refers to the product instructed by RoHS ▲ Refers to the replaceable product instructed by RoHS



SK4-045A

Features

- Arc design, mighty sense of vision impact
- Stainless Steel material, great corrosion resistance performance

Specification

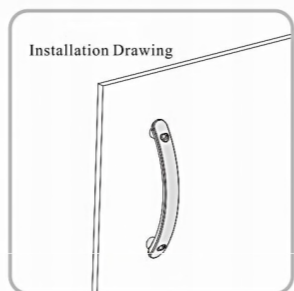
- Material: Stainless Steel (SUS304)
- Finish: Bright Polishing

Application

- Industrial door; Automation equipment

Date of delivery

- Common product inquiry is welcome

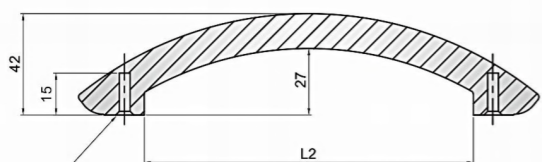
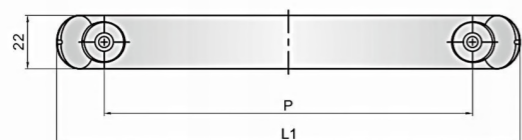


SK4-045B



[SK4-045B-100]

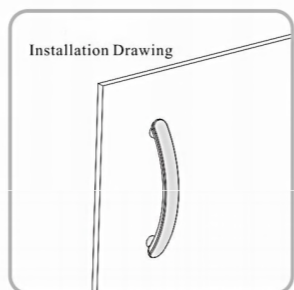
[SK4-045B-150]



2-M5x0.8牙距(Screw Pitch)

订货号 Item No.	RoHS	CAD	P	L1	L2	重量(g) Weight: (g)
SK4-045B-100	●	📄	2D	100	136.5	84.5
SK4-045B-150	●	📄	2D	150	188	134

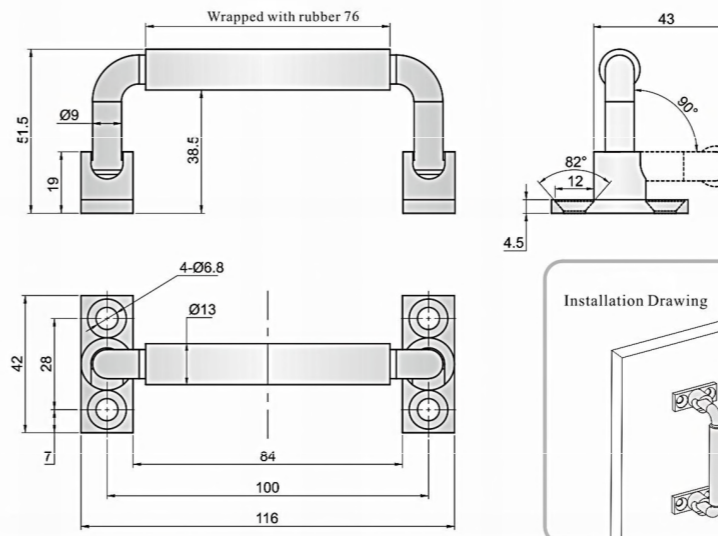
●: RoHS对应产品 ▲: RoHS可对应产品
● Refers to the product instructed by RoHS ▲ Refers to the replaceable product instructed by RoHS



SK4-046S



[SK4-046S]



订货号 Item No.	RoHS	CAD	重量(g) Weight: (g)
SK4-046S	●	📄	145

●: RoHS对应产品 ▲: RoHS可对应产品
● Refers to the product instructed by RoHS ▲ Refers to the replaceable product instructed by RoHS

Features

- The handle can be folded 90 degree, save more space
- Stainless Steel material, great corrosion resistance performance

- Handle wrapped with rubber have a comfortable grip

- The handle can be folded 90°

Specification

- Material: Stainless Steel(SUS304)
- Finish: Bright Polishing

Application

- Self-service Terminal System, Communication cabinet, Automation equipment

Date of delivery

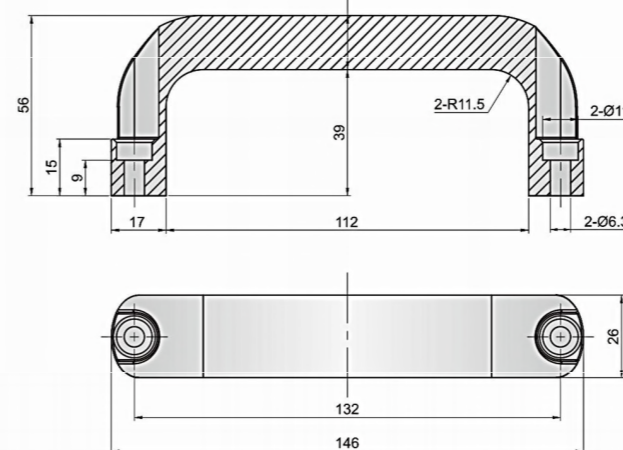
- Common product inquiry is welcome



SK4-047W



[SK4-047W]



订货号 Item No.	RoHS	CAD	重量(g) Weight: (g)
SK4-047W	●	📄	155

●: RoHS对应产品 ▲: RoHS可对应产品
● Refers to the product instructed by RoHS ▲ Refers to the replaceable product instructed by RoHS

Features

- Anodizing finishing , nice appearance

- Elliptical design, have more comfortable grip and ergonomic

Specification

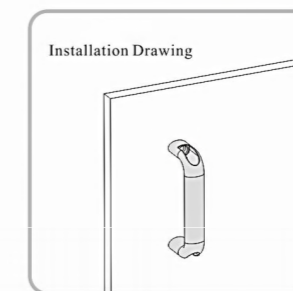
- Material: Aluminum Alloy
- Finish: Silver Anodizing

Application

- Automation equipment, Outdoor cabinet

Date of delivery

- Common product inquiry is welcome

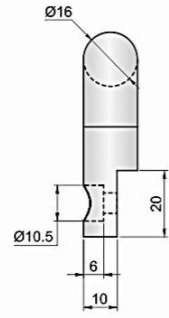
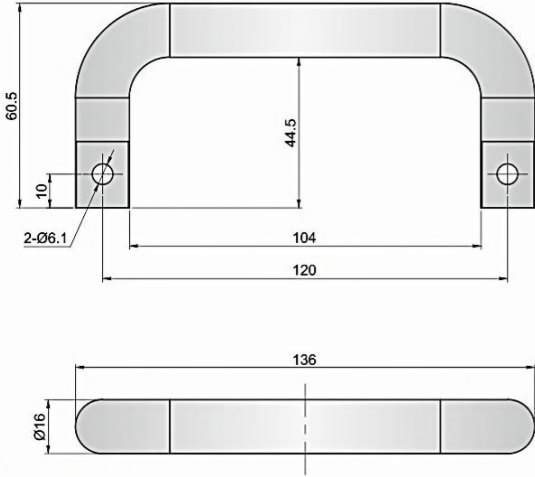




SK4-048



[SK4-048S]



Features

- Door side installation, meet special requirements.
- Stainless Steel material, great corrosion resistance performance

Specification

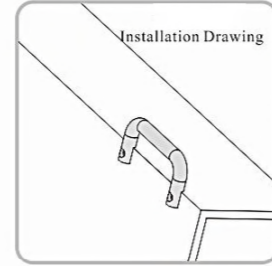
- Material: Stainless Steel(SUS304)
- Finish: Bright Polishing

Application

- Automation equipment, Outdoor cabinet

Date of delivery

- Common product inquiry is welcome



订货号 Item No.	RoHS	CAD	重量(g) Weight: (g)
SK4-048S	●	□	291

● Refers to the product instructed by RoHS ▲ Refers to the replaceable product instructed by RoHS

Handle



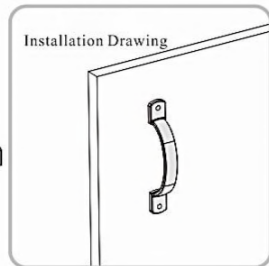
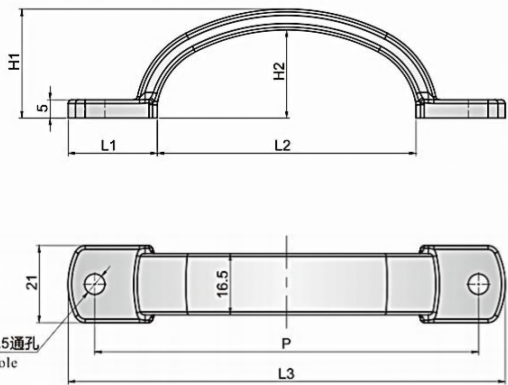
SK4-049



[SK4-049-105]

[SK4-049-115]

[SK4-049-125]



Features

- Arc design, nice appearance
- Stainless Steel material, great corrosion resistance performance

Specification

- Material: Stainless Steel(SUS304)
- Finish: Bright Polishing

Application

- Automation equipment, Outdoor cabinet

Date of delivery

- Common product inquiry is welcome

订货号 Item No.	RoHS	CAD	L1	L2	L3	P	H1	H2	重量(g) Weight: (g)
SK4-049-105	●	□	24.5	70.5	119.5	105	30	24	87.3
SK4-049-115	●	□	27.5	79	134	115	33	27	98
SK4-049-125	●	□	28.5	85.5	142.5	125	34	28	108

● Refers to the product instructed by RoHS ▲ Refers to the replaceable product instructed by RoHS



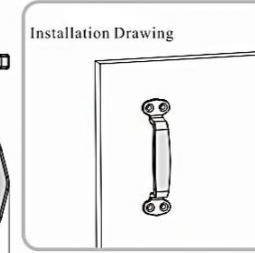
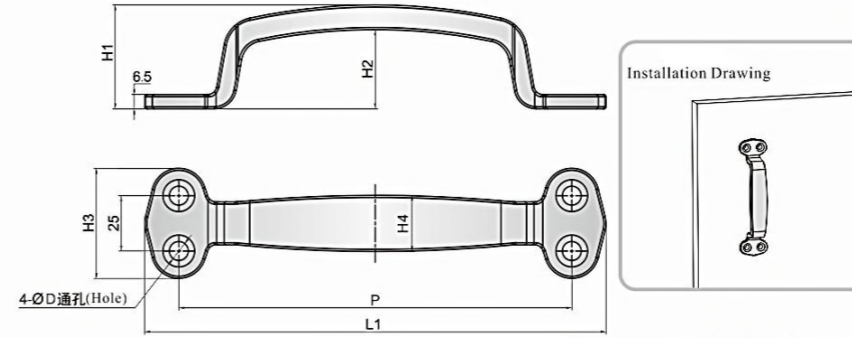
SK4-050



[SK4-050-120]

[SK4-050-150]

[SK4-050-178]



Features

- Arc design, nice appearance
- Stainless Steel material, great corrosion resistance performance

Specification

- Material: Stainless Steel(SUS304)
- Finish: Bright Polishing

Application

- Automation equipment, Outdoor cabinet

Date of delivery

- Common product inquiry is welcome

订货号 Item No.	RoHS	CAD	P	L1	H1	H2	H3	H4	D	重量(g) Weight: (g)
SK4-050-120	●	□	120	145	36	24	42.5	22	6.5	242
SK4-050-150	●	□	150	175	40	28	42.5	22	6.5	280
SK4-050-178	●	□	178	208	45	33	49.5	25	8.5	478

● Refers to the product instructed by RoHS ▲ Refers to the replaceable product instructed by RoHS

Handle



SK4-051

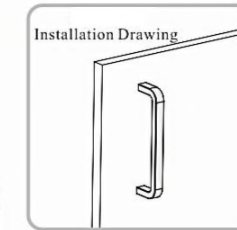
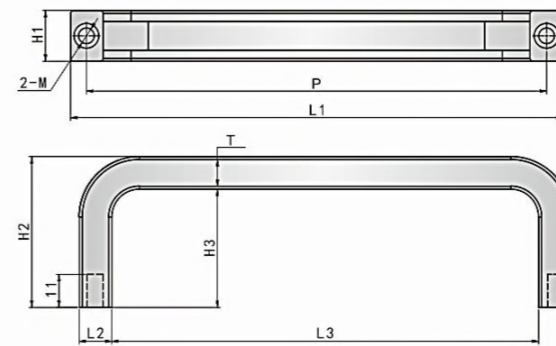


[SK4-051-100]

[SK4-051-120]

[SK4-051-150]

[SK4-051-180]



Features

- Internal mounting screws with no marks on the surface
- Stainless Steel material, great corrosion resistance performance

Specification

- Material: Stainless Steel(SUS304)
- Finish: Bright Polishing

Application

- Emergence door, Kitchen equipment, All kinds of cabinets

Date of delivery

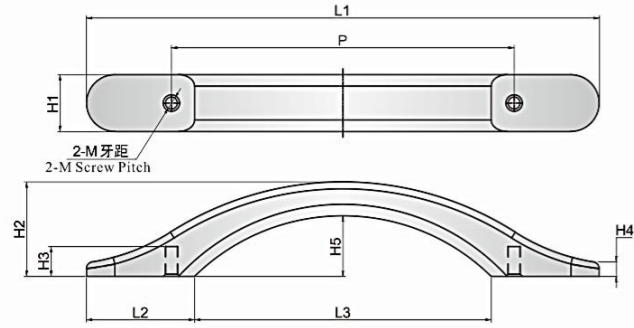
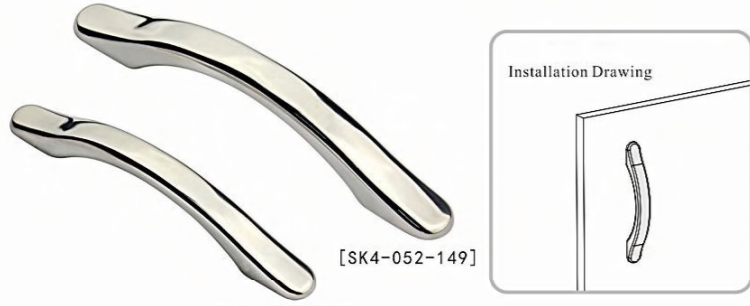
- Common product inquiry is welcome

订货号 Item No.	RoHS	CAD	P	L1	L2	L3	H1	H2	H3	M	T	重量(g) Weight: (g)
SK4-051-100	●	□	100	108	8	94	14	30	22	2-M5×0.8	8	85
SK4-051-120	●	□	120	130	10	110	15.5	40	30	2-M5×0.8	10	153
SK4-051-150	●	□	150	161	11	141	17	50	39	2-M6×1.0	11	236
SK4-051-180	●	□	180	192	12	170	17	50	38	2-M6×1.0	12	286

● Refers to the product instructed by RoHS ▲ Refers to the replaceable product instructed by RoHS

Handle

SK4-052



订货号 Item No.	RoHS	CAD	L1	L2	L3	P	H1	H2	H3	H4	H5	M	重量(g) Weight:(g)
SK4-052-120	●	2D	181	37	107	120	20	33	12	6	21.5	2-M5×0.8	264
SK4-052-149	●	2D	225	47	131	149	24.5	42	13	6.5	27	2-M6×1.0	514.6

●: RoHS对应产品 ▲: RoHS可对应产品
● Refers to the product instructed by RoHS ▲ Refers to the replaceable product instructed by RoHS

Features

- Internal mounting screws with no marks on the surface
- Arc design, comfort grip
- Stainless Steel material, great corrosion resistance performance

Specification

- Material: Stainless Steel(SUS304)
- Finish: Bright Polishing

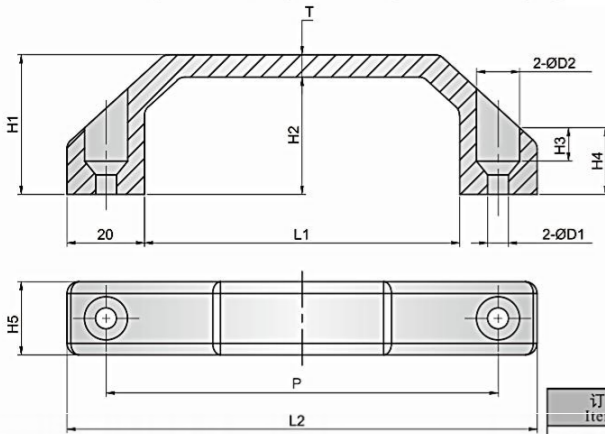
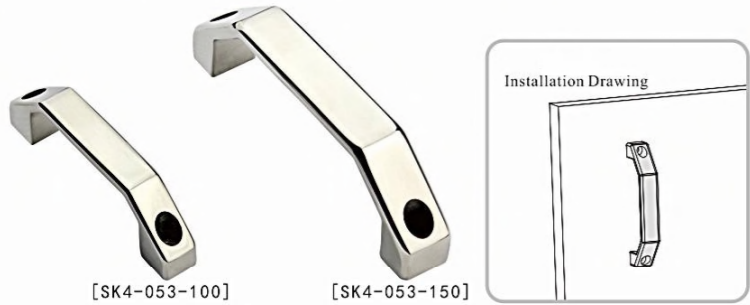
Application

- Chassis cabinet, Electric cabinet, Mini cabinet etc

Date of delivery

- Common product inquiry is welcome

SK4-053



订货号 Item No.	RoHS	CAD	L1	L2	P	H1	H2	H3	H4	H5	D1	D2	T	重量(g) Weight:(g)
SK4-053-100	●	2D	80	120	100	36	30	8.5	17	18.5	5.3	11.5	6	161
SK4-053-120	●	2D	100	140	120	40	34	9	16.5	21	5.3	11	6	200
SK4-053-150	●	2D	130	170	150	50	42	10.5	19	25.5	6.5	13.5	8	355
SK4-053-180	●	2D	160	200	180	49	41	10	19	28	8.3	15	8	437

●: RoHS对应产品 ▲: RoHS可对应产品
● Refers to the product instructed by RoHS ▲ Refers to the replaceable product instructed by RoHS

Features

- Various center distances can be chosen
- Stainless Steel material, great corrosion resistance performance

Specification

- Material: Stainless Steel(SUS304)
- Finish: Bright Polishing

Application

- Automation equipment, Medical equipment

Date of delivery

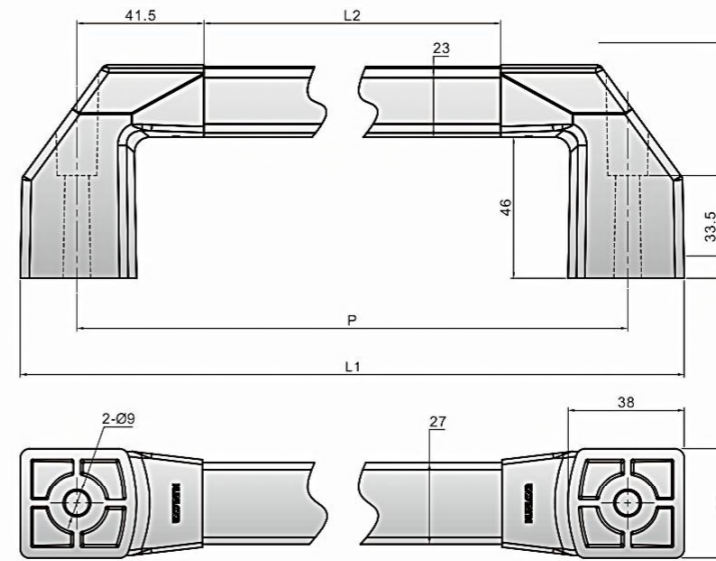
- Common product inquiry is welcome

Remark

- Different center distance product can be customized

Handle

SK4-69



Features

- Aluminum material, light weight and superior performance
- Install from outside board, it can be tapping or drilling
- Fixed heat resistance for 150 degree

Specification

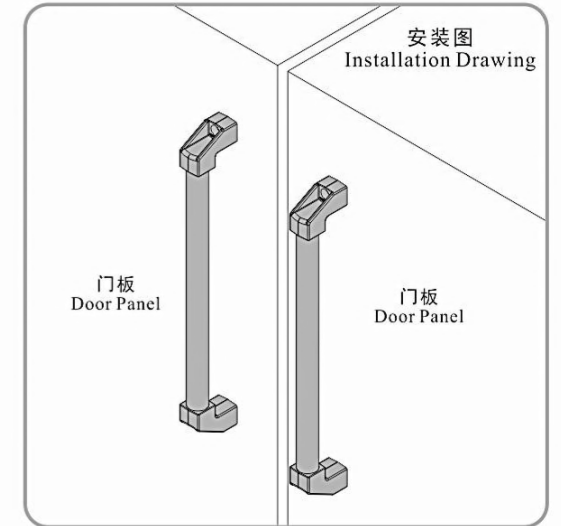
- Material: Tube: Aluminum Alloy, Base: Nylon(PA)
- Finish: Tube: Black Painted or Silver Painted
Base: Black

Application

- Oven, Test chamber, Automation equipment

Date of delivery

- Common product inquiry is welcome



订货号 Item No.	RoHS	CAD	L1	L2	P	荷重(Kg) Capacity (Kg)	铝棒颜色 Pedestal Color	管子颜色 Aluminum Rod Color	重量(g) Weight:(g)
SK4-69180-8	●	2D	217	97	180	100	银色 Silvery	黑色 Black	204
SK4-69250-8	●	2D	287	167	250	100	银色 Silvery	黑色 Black	248
SK4-69300-8	●	2D	337	217	300	100	银色 Silvery	黑色 Black	279
SK4-69350-8	●	2D	387	267	350	100	银色 Silvery	黑色 Black	313
SK4-69400-8	●	2D	437	317	400	100	银色 Silvery	黑色 Black	275
SK4-69500-8	●	2D	537	417	500	100	银色 Silvery	黑色 Black	400
SK4-69180-9	●	2D	217	97	180	100	黑色 Black	黑色 Black	204
SK4-69250-9	●	2D	287	167	250	100	黑色 Black	黑色 Black	248
SK4-69300-9	●	2D	337	217	300	100	黑色 Black	黑色 Black	280
SK4-69350-9	●	2D	387	267	350	100	黑色 Black	黑色 Black	313
SK4-69400-9	●	2D	437	317	400	100	黑色 Black	黑色 Black	275
SK4-69500-9	●	2D	537	417	500	100	黑色 Black	黑色 Black	400

●: RoHS对应产品 ▲: RoHS可对应产品
● Refers to the product instructed by RoHS ▲ Refers to the replaceable product instructed by RoHS

Handle

RoHS GAD SK4-004



Features

- With strong tension bearing, easy to install
- Various center distances can be chosen

Specification

- Material: Base: Zinc Alloy(ZDC)
Tube: Stainless Steel(SUS304)
- Finish: Base: Black Painted or Silver Painted
Tube: Bright Polishing

Application

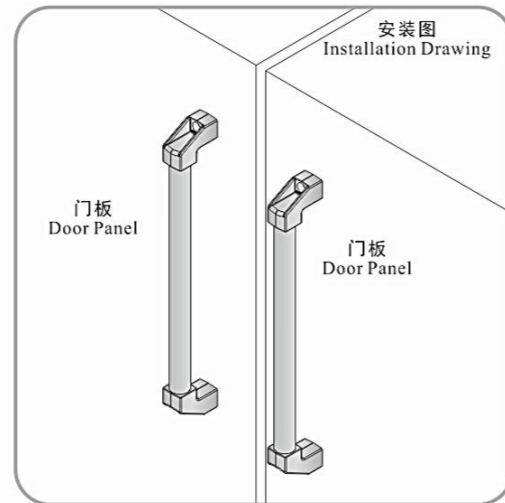
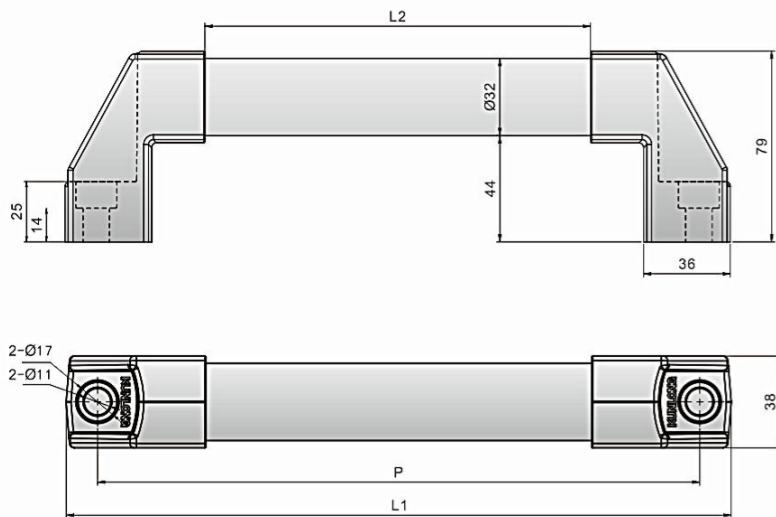
- Oven; Test chamber; Electric cabinet box; etc.

Date of delivery

- Common product inquiry is welcome

Remark

- Different centre distance can be customized as your requirement
- Tube is 1.2 mm thickness



订货号 Item No.	RoHS	GAD	P	L1	L2	座子颜色 Base color	重量(g) Weight(g)
SK4-004B-250	●	2D	250	274	160	黑色 Black	767
SK4-004W-250	●	2D	250	274	160	银色 Silvery	767
SK4-004B-300	●	2D	300	324	210	黑色 Black	780
SK4-004W-300	●	2D	300	324	210	银色 Silvery	763
SK4-004B-500	●	2D	500	524	410	黑色 Black	914
SK4-004W-500	●	2D	500	524	410	银色 Silvery	830

● Refers to the product instructed by RoHS ▲ Refers to the replaceable product instructed by RoHS

Handle

RoHS GAD SK4-223



Features

- Slope design for the fitting seat, use for sliding door
- Convenient to grasping design

- Various center distances can be chosen

Specification

- Material: Zinc Alloy Base, Aluminum Round Tube
- Finish: Base: Black Painted or Silver Painted
Tube: Black Anodizing or Silver Anodizing

Application

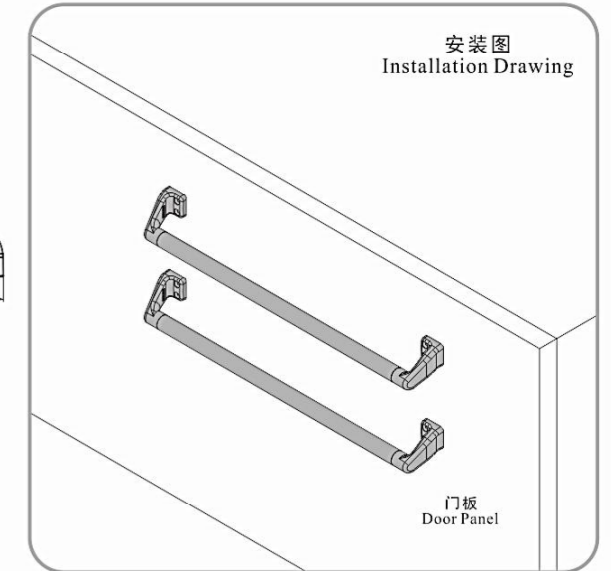
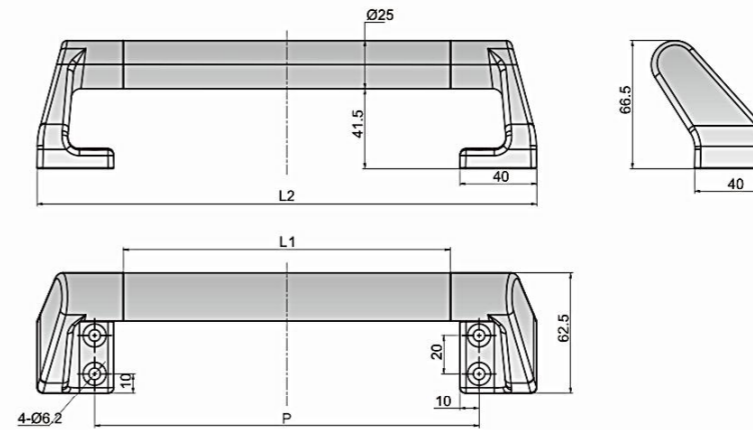
- Bus, Railway vehicle, Industrial equipment enclosure

Date of delivery

- Common product inquiry is welcome

Remark

- Different center distance product can be customized



订货号 Item No.	RoHS	GAD	安装孔距P Installation Hole Distance L	铝棒长度L1	L2	座子颜色 Aluminum Rod Color	铝棒颜色 Pedestal Color	重量(g) Weight(g)
SK4-223W-200W	●	2D	200	170	260	银色 Silvery	银色 Silvery	693
SK4-223W-200B	●	2D	200	170	260	银色 Silvery	黑色 Black	704
SK4-223B-200W	●	2D	200	170	260	黑色 Black	银色 Silvery	640
SK4-223B-200B	●	2D	200	170	260	黑色 Black	黑色 Black	695
SK4-223W-300W	●	2D	300	270	360	银色 Silvery	银色 Silvery	773
SK4-223W-300B	●	2D	300	270	360	银色 Silvery	黑色 Black	773
SK4-223B-300W	●	2D	300	270	360	黑色 Black	银色 Silvery	730
SK4-223B-300B	●	2D	300	270	360	黑色 Black	黑色 Black	724
SK4-223W-500W	●	2D	500	470	560	银色 Silvery	银色 Silvery	860
SK4-223W-500B	●	2D	500	470	560	银色 Silvery	黑色 Black	910
SK4-223B-500W	●	2D	500	470	560	黑色 Black	银色 Silvery	888
SK4-223B-500B	●	2D	500	470	560	黑色 Black	黑色 Black	888

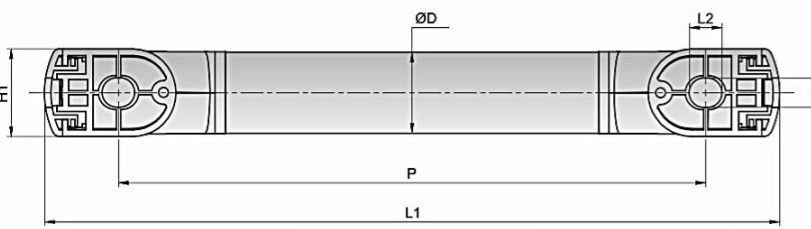
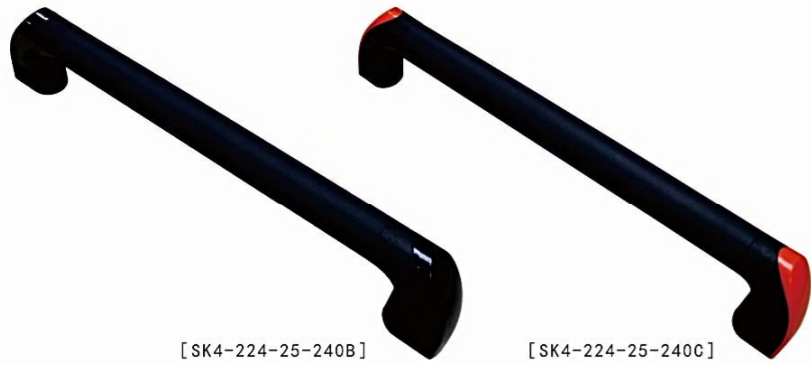
● Refers to the product instructed by RoHS ▲ Refers to the replaceable product instructed by RoHS

轻型拉手
Handle

重型把手
Handle

Handle

RoHS GAD SK4-224



Features

- Easy to install, with strong tension bearing
- Mounting holes is oblong hole, with dustproof cover
- With dust cover, no marks after installation, simple and elegant appearance
- Matching colors with industrial sense and suitable for most industrial equipment installation

Specification

- Material: Tube: Aluminum Alloy, Base cover: Nylon(PA)
- Finish: Tube: Black Painted

Application

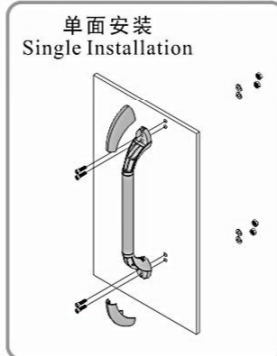
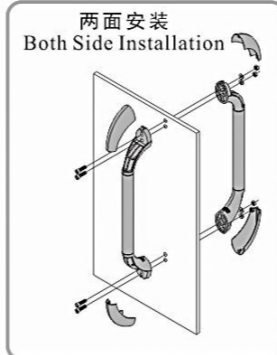
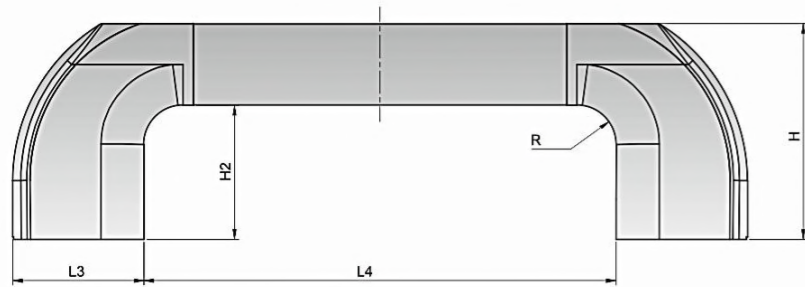
- Oven, Test chamber, Automation equipment

Date of delivery

- Common product inquiry is welcome

Remark

- Use screwdriver to open the dust-proof cover



订货号 Item No.	RoHS	中心距(P) Center Distance(P)	管径(D) Diameter(D)	高度(H) Height(H)	孔径(d) Aperture(d)	H1	H2	L1	L2	L3	L4	R	底座盖颜色 Color of base cover	重量(g) Weight(g)
SK4-224-25-180B	●	180	25	66	9	26	41	225.5	10	40	145.5	12	黑色 Black	154
SK4-224-25-180C	●	180	25	66	9	26	41	225.5	10	40	145.5	12	橙色 Orange	154
SK4-224-25-240B	●	240	25	66	9	26	41	285.5	10	40	205.5	12	黑色 Black	168
SK4-224-25-240C	●	240	25	66	9	26	41	285.5	10	40	205.5	12	橙色 Orange	168
SK4-224-34-300B	●	300	34	85	11	36	51	358	12.5	54.5	249	16	黑色 Black	374
SK4-224-34-300C	●	300	34	85	11	36	51	358	12.5	54.5	249	16	橙色 Orange	374
SK4-224-34-400B	●	400	34	85	11	36	51	458	12.5	54.5	349	16	黑色 Black	424
SK4-224-34-400C	●	400	34	85	11	36	51	458	12.5	54.5	349	16	橙色 Orange	424
SK4-224-34-500B	●	500	34	85	11	36	51	558	12.5	54.5	449	16	黑色 Black	470
SK4-224-34-500C	●	500	34	85	11	36	51	558	12.5	54.5	449	16	橙色 Orange	470
SK4-224-34-1050B	●	1050	34	85	11	36	51	1108	12.5	54.5	999	16	黑色 Black	750
SK4-224-34-1050C	●	1050	34	85	11	36	51	1108	12.5	54.5	999	16	橙色 Orange	750

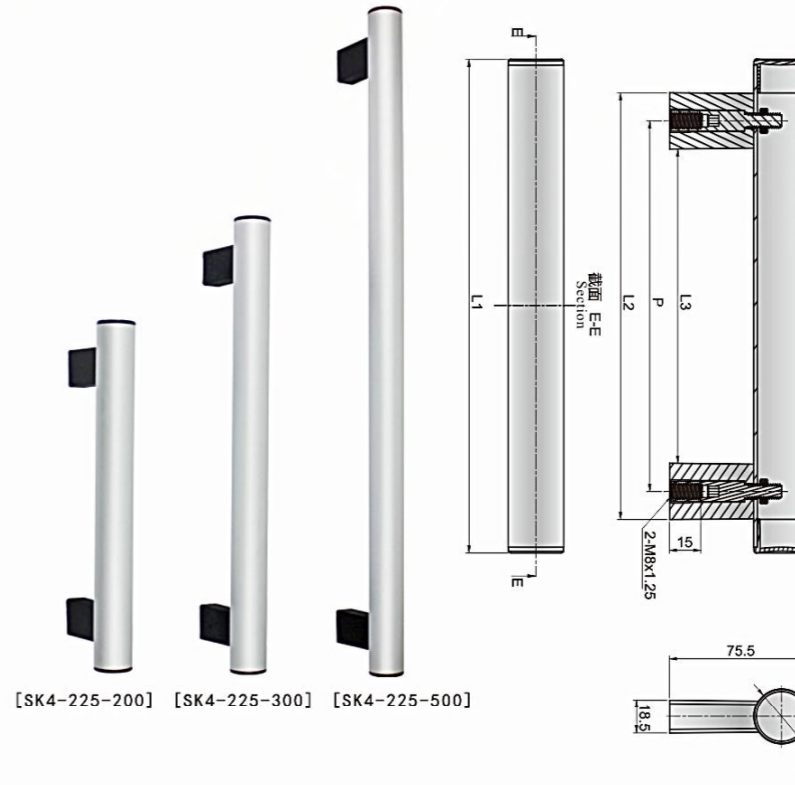
● : RoHS对应产品 ▲ : RoHS可对应产品
● Refers to the product instructed by RoHS ▲ Refers to the replaceable product instructed by RoHS

轻型拉手
Handle

重型把手
Handle

Handle

RoHS GAD SK4-225



Features

- Hide the mounting screws, more beautiful
- Aluminium alloy material, holding better

Specification

- Material: Base: Nylon, Tube: Aluminum Alloy
- Finish: Base: Black, Tube: Silver Anodizing

Application

- Automation Equipment, Communication Cabinet, CNC Machine Tools, etc.

Date of delivery

- Common product inquiry is welcome

Remark

- Different centre distance can be customized as your requirement

订货号 Item No.	RoHS	GAD	L1	L2	L3	P	重量(g) Weight(g)	
SK4-225-200	●	▲	20	266	230	169	200	190
SK4-225-300	●	▲	20	366	331	269	300	233
SK4-225-500	●	▲	20	566	531	469	500	302

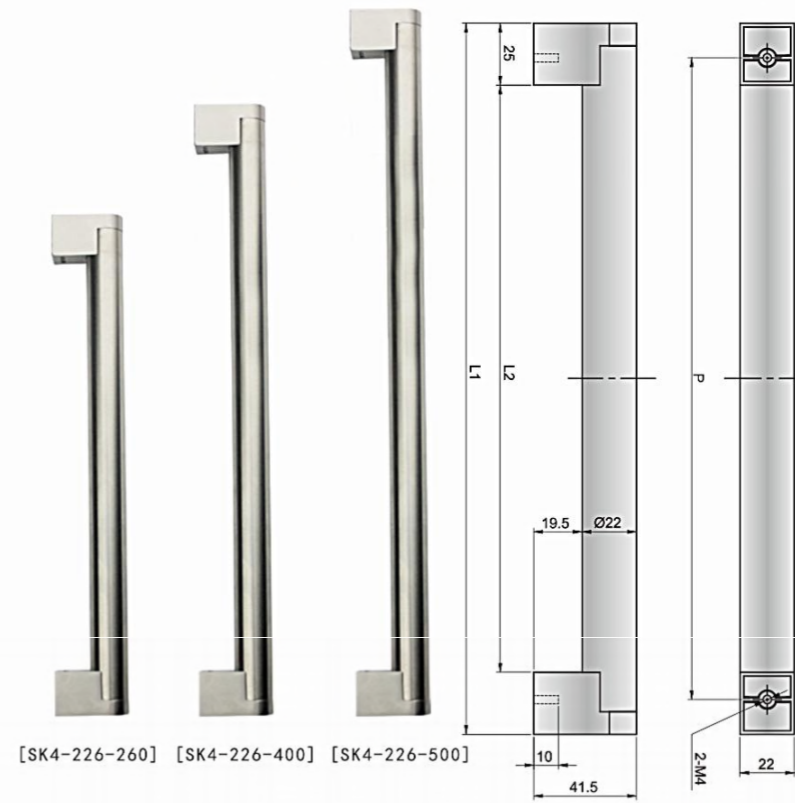
● : RoHS对应产品 ▲ : RoHS可对应产品
● Refers to the product instructed by RoHS ▲ Refers to the replaceable product instructed by RoHS

轻型拉手
Handle

重型把手
Handle

Handle

RoHS GAD SK4-226



Features

- With strong tension bearing, easy to install
- Stainless Steel material, great corrosion resistance performance

Specification

- Material: Stainless Steel(SUS304)
- Finish: Wire-drawing Polishing

Application

- Oven; Test chamber; Electric cabinet box; etc

Date of delivery

- Different centre distance can be customized as your requirement

订货号 Item No.	RoHS	GAD	L1	L2	P	重量(g) Weight(g)	
SK4-226-260	●	▲	20	288	238	260	213
SK4-226-400	●	▲	20	428	378	400	260
SK4-226-500	●	▲	20	528	478	500	280

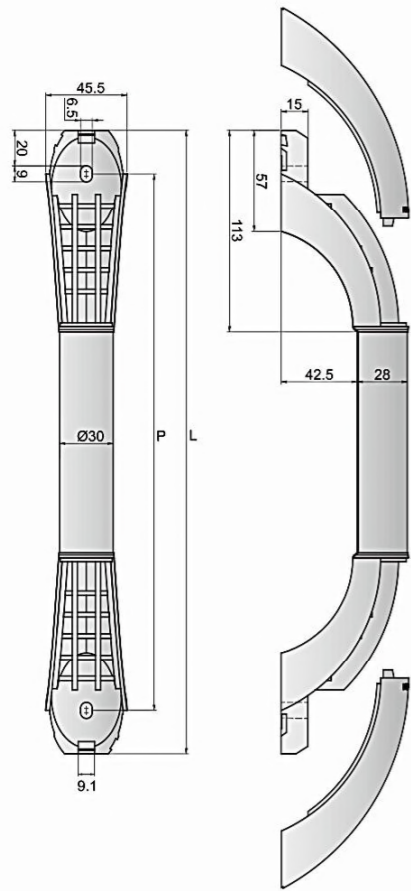
● : RoHS对应产品 ▲ : RoHS可对应产品
● Refers to the product instructed by RoHS ▲ Refers to the replaceable product instructed by RoHS

Handle

RoHS GAD SK4-334



[SK4-334]



Features

- Easily grip design
- Installed on both sides symmetrically

Specification

- Material: Base: ABS, Tube: Aluminum Alloy
- Finish: Base: Black or White
Tube: Black Painted or Silver Painted

Application

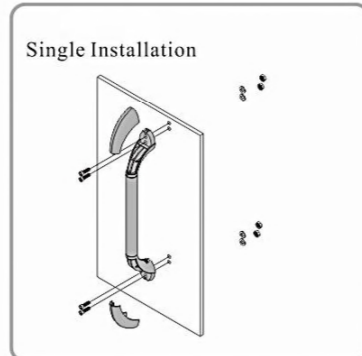
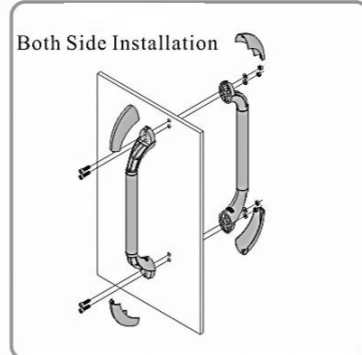
- Medical-related equipment, Communications Equipment, Kitchen Equipment etc

Date of delivery

- Common product inquiry is welcome

Remark

- Different installation of centre distance as your requirements can be customized



订货号 Item No.	RoHS	GAD	P	L	座子颜色 Pedestal Color	铝棒颜色 Aluminum Rod Color	重量 (g) Weight(g)	
SK4-334B-300B	●	▲	2D	300	350	黑色 Black	黑色 Black	251
SK4-334B-300W	●	▲	2D	300	350	黑色 Black	银色 Silver	251
SK4-334W-300B	●	▲	2D	300	350	交通白 White	黑色 Black	255
SK4-334W-300W	●	▲	2D	300	350	交通白 White	银色 Silver	255
SK4-334B-500B	●	▲	2D	500	550	黑色 Black	黑色 Black	388
SK4-334B-500W	●	▲	2D	500	550	黑色 Black	银色 Silver	388
SK4-334W-500B	●	▲	2D	500	550	交通白 White	黑色 Black	388
SK4-334W-500W	●	▲	2D	500	550	交通白 White	银色 Silver	388

● : RoHS对应产品 ▲ : RoHS可对应产品
● Refers to the product instructed by RoHS ▲ Refers to the replaceable product instructed by RoHS

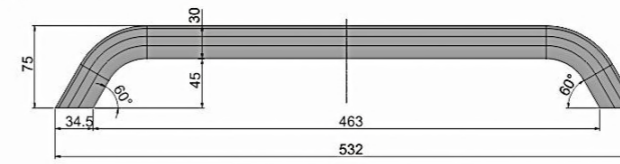
Handle

NEW RoHS GAD SK4-336

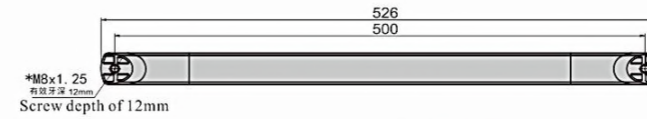


[SK4-336-500X-60-M8-W]

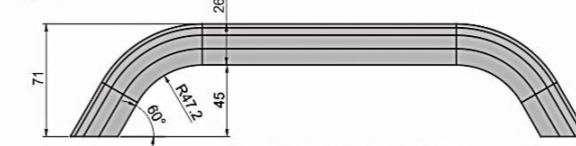
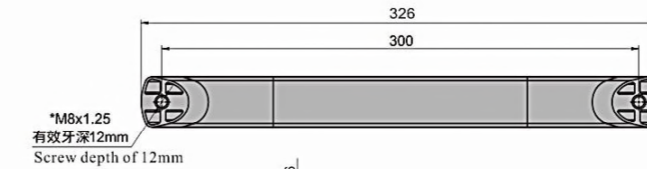
[SK4-336-500X-60-M8-B]



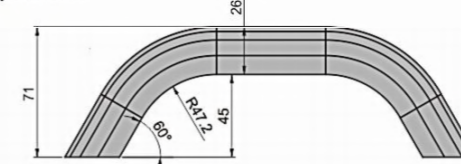
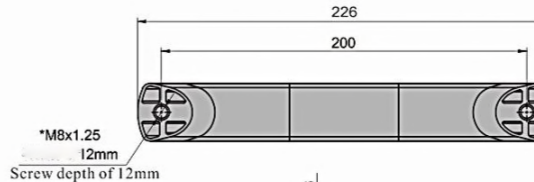
[SK4-336-500X-60-M8-W]
[SK4-336-500X-60-M8-B]



[SK4-336W-500-60-M8]
[SK4-336B-500-60-M8]



[SK4-336W-300-60-M8]
[SK4-336B-300-60-M8]



[SK4-336W-200-60-M8]
[SK4-336B-200-60-M8]

Features

- Slope design for the fitting seat, use for sliding door
- Convenient to grasping design
- Convenient and efficient installation, various centre distance can be chosen

Specification

- Material: Aluminum Alloy
- Finish: Silver Painted or Black Anodizing

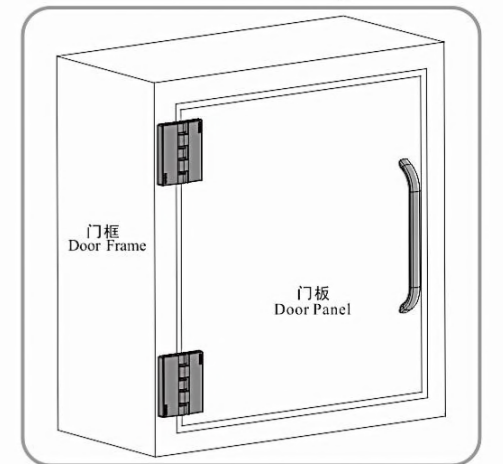
Application

- Oven; Test equipment; Environmental test chambers; etc.

Remark

- Common product inquiry is welcome

Installation Drawing

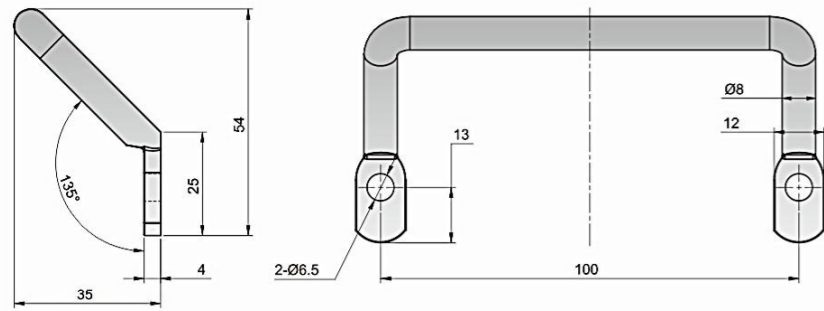
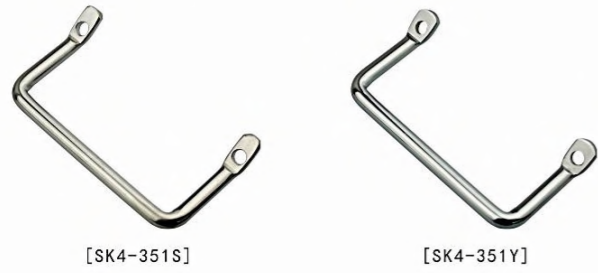


订货号 Item No.	RoHS	GAD	表面处理 Finish	重量 (g) Weight(g)
SK4-336-500X-60-M8-W	●	▲	阳极银色 Silver Anodizing	931
SK4-336-500X-60-M8-B	●	▲	阳极黑色 Black Anodizing	//
SK4-336W-500-60-M8	●	▲	阳极银色 Silver Anodizing	//
SK4-336B-500-60-M8	●	▲	阳极黑色 Black Anodizing	//
SK4-336W-300-60-M8	●	▲	阳极银色 Silver Anodizing	//
SK4-336B-300-60-M8	●	▲	阳极黑色 Black Anodizing	//
SK4-336W-200-60-M8	●	▲	阳极银色 Silver Anodizing	//
SK4-336B-200-60-M8	●	▲	阳极黑色 Black Anodizing	//

● : RoHS对应产品 ▲ : RoHS可对应产品
● Refers to the product instructed by RoHS ▲ Refers to the replaceable product instructed by RoHS

Handle

SK4-351



- Features**
- Oblique design and simple structure
 - Stainless steel or iron material, stainless steel material with strong corrosion resistance
- Specification**
- Material: Iron bar/Stainless Steel(SUS304)
 - Finish: Black Painted/Bright Chrome Plated, Vibration Grinding
- Application**
- Sliding door board, Electric cabinet, Mini cabinet etc
- Date of delivery**
- Common product inquiry is welcome
- Remark**
- It will be better to use multiple of them

订货号 Item No.	材质 Material	表面处理 Finish	重量(g) Weight(g)
SK4-351B	铁棒 Iron bar	烤漆黑色 Black Painted	78
SK4-351Y	铁棒 Iron bar	镀铬 Bright Chrome Plated	78
SK4-351S	不锈钢 SUS304	振动研磨 Vibration Grinding	81

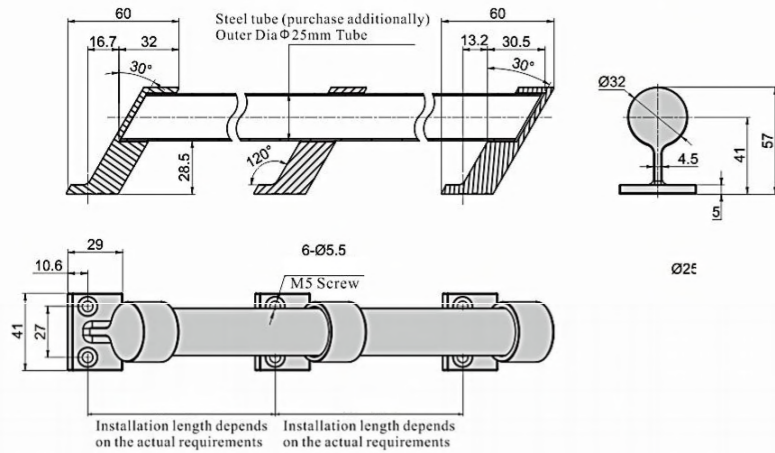
● Refers to the product instructed by RoHS ▲ Refers to the replaceable product instructed by RoHS

Handle

SK4-1395X



[SK4-1395X]



- Features**
- With three mounting bases, the middle mounting base can be adjusted and fixed
 - Stainless Steel material, great corrosion resistance performance
 - Countersunk hole installation, with elegant surface
- Specification**
- Material: Stainless Steel(SUS304)
 - Finish: Bright Polishing
- Application**
- Marine; Bathroom; High-speed rail; New energy equipment; etc.
- Date of delivery**
- Common product inquiry is welcome

订货号 Item No.	重量(g) Weight(g)
SK4-1395X	300

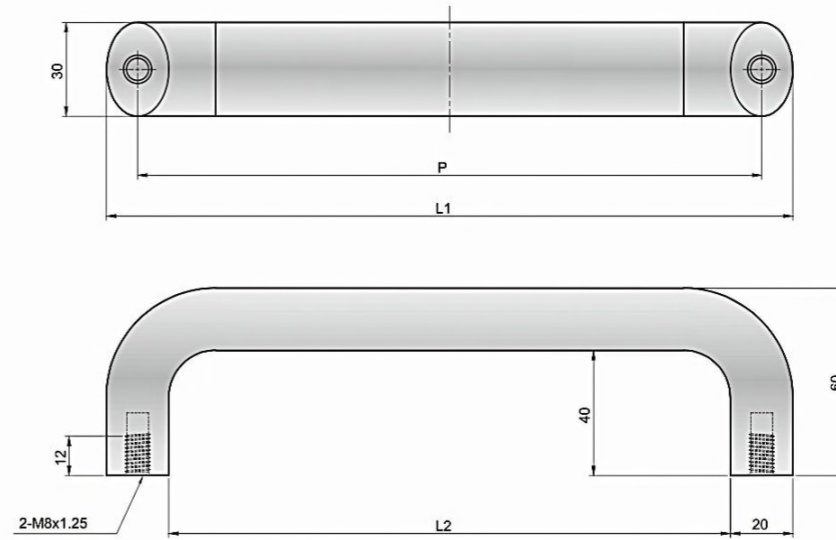
● Refers to the product instructed by RoHS ▲ Refers to the replaceable product instructed by RoHS

Handle

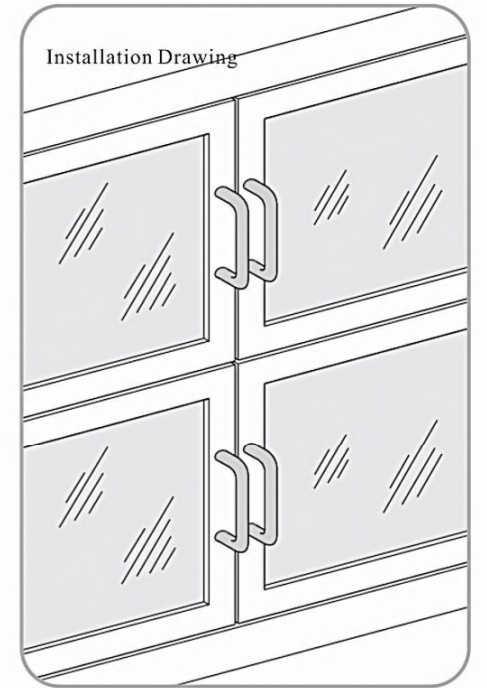
SK4-3020



[SK4-3020W-300] [SK4-3020B-500] [SK4-3020W-500]



- Features**
- Anodizing finishing, nice appearance
 - Oval handle section with good stability, convenient and comfortable to hold
 - Installed from inside of board, no mark while installing with high intensity
- Specification**
- Material: Aluminum Alloy
 - Finish: Black Anodizing or Silver Anodizing
- Application**
- Oven, Test chamber, Automation equipment
- Date of delivery**
- Common product inquiry is welcome
- Remark**
- Different center distance product can be customized



订货号 Item No.	表面处理 Finish	重量(g) Weight(g)
SK4-3020B-200	阳极黑色 Black Anodizing	317
SK4-3020W-200	阳极银色 Silver Anodizing	317
SK4-3020B-300	阳极黑色 Black Anodizing	433
SK4-3020W-300	阳极银色 Silver Anodizing	433
SK4-3020B-500	阳极黑色 Black Anodizing	678
SK4-3020W-500	阳极银色 Silver Anodizing	678

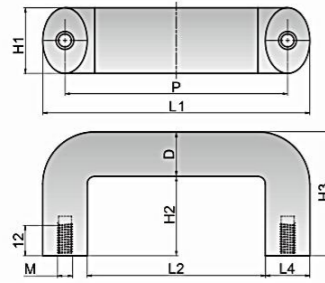
● Refers to the product instructed by RoHS ▲ Refers to the replaceable product instructed by RoHS

Handle

RoHS GAD SK4-8017



[SK4-8017-1] [SK4-8017-2] [SK4-8017-3]



订货号 Item No.	RoHS	GAD	P	L1	L2	H1	H2	H3	D	M	重量(g) Weight(g)	
SK4-8017-1	●	□	2D	90	108	72	26.5	32	50	18	2-M6x1.0	85
SK4-8017-2	●	□	2D	120	139	101	28.5	36	55	19	2-M8x1.25	138
SK4-8017-3	●	□	2D	180	199	161	28.5	41	60	19	2-M8x1.25	176
SK4-8017-4	●	□	2D	240	259	221	28.5	41	60	19	2-M8x1.25	215
SK4-8017-5	●	□	2D	320	339	301	28.5	41	60	19	2-M8x1.25	306
SK4-8017-6	●	□	2D	400	419	381	28.5	51	70	19	2-M8x1.25	358

● Refers to the product instructed by RoHS ▲ Refers to the replaceable product instructed by RoHS

Features

- Oval product section with good stability, convenient and comfortable to hold
- Various center distance can be chosen
- Bakelite material, light weight and high strength

Specification

- Material: Bakelite
- Finish: Black

Application

- Communications Equipment, Chassis cabinet, Switchboard, Cold Storage etc

Date of delivery

- Common product inquiry is welcome

Remark

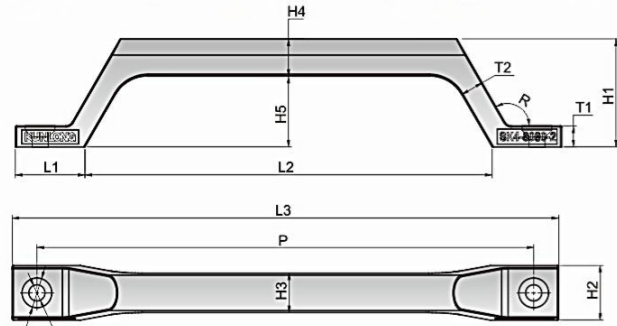
- Please prevent oil in the handle while use it

Handle

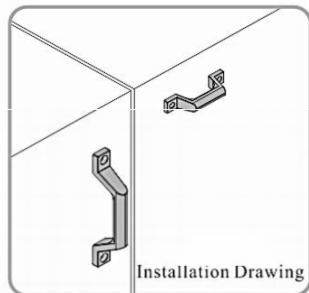
RoHS GAD SK4-8080



[SK4-8080-4] [SK4-8080-3] [SK4-8080-2] [SK4-8080-1]



2-ØD1 2-ØD2



订货号 Item No.	RoHS	GAD	L1	L2	L3	P	H1	H2	H3	H4	H5	D1	D2	T1	T2	R	重量(g) Weight(g)	
SK4-8080-1	●	□	2D	28	164	220	200	43.5	22	16	15	28.5	12	6.5	8.5	9.5	120°	356
SK4-8080-2	●	□	2D	28	114	170	150	43.5	22	15.5	15	28.5	12	6.5	8.5	9.5	120°	290
SK4-8080-3	●	□	2D	19.5	77	116	100	32	18	12	10	22	8.5	4.5	6	5.5	107°	104
SK4-8080-4	●	□	2D	19.5	67	96	80	32	18	12	10	22	8.5	4.5	6	5.5	107°	104

● Refers to the product instructed by RoHS ▲ Refers to the replaceable product instructed by RoHS

Features

- Stainless Steel material, great corrosion resistance performance
- Four sizes can be chosen
- Easily grip arc handle design

Specification

- Material: Stainless Steel(SUS304)
- Finish: Bright Polishing

Application

- Exterior and interior door, industrial equipment doors, Industrial equipment

Date of delivery

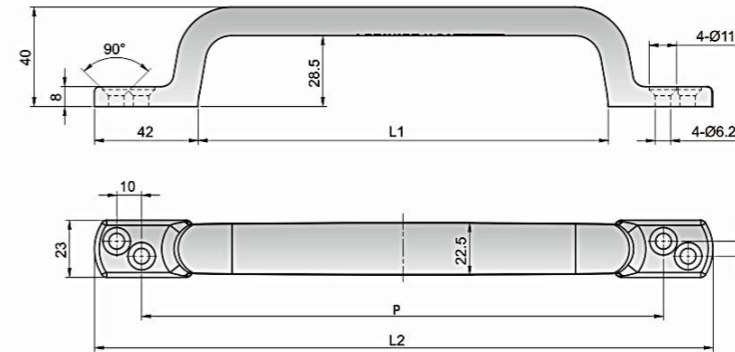
- Common product inquiry is welcome

Handle

RoHS GAD SK4-8081



[SK4-8081-1] [SK4-8081-2] [SK4-8081-3]



Features

- Stainless Steel material, great corrosion resistance performance
- Three sizes specifications can be chosen
- Easily grip arc handle design
- Multiple holes installation, more solid

Specification

- Material: Stainless Steel(SUS304)
- Finish: Bright Polishing

Application

- Exterior and interior door, industrial equipment doors, Industrial equipment

Date of delivery

- Common product inquiry is welcome

订货号 Item No.	RoHS	GAD	L1	L2	P	重量(g) Weight(g)	
SK4-8081-1	●	□	2D	165	249	210	402
SK4-8081-2	●	□	2D	147	231	192	378
SK4-8081-3	●	□	2D	113	197	158	328

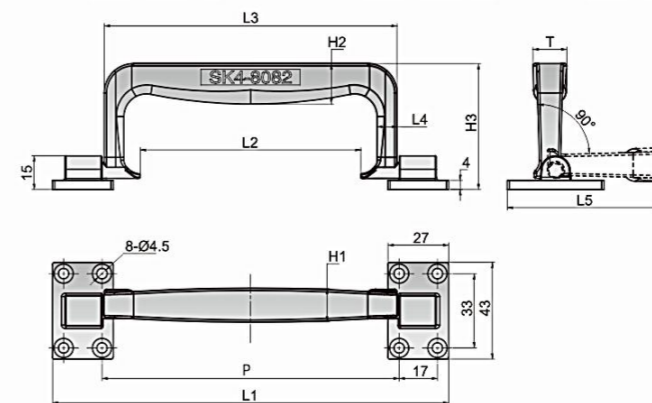
● Refers to the product instructed by RoHS ▲ Refers to the replaceable product instructed by RoHS

Handle

RoHS GAD SK4-8082



[SK4-8082-1] [SK4-8082-2] [SK4-8082-3]



备注 ● SK4-8082-3为有量生产

Features

- Stainless Steel material, great corrosion resistance performance
- Three sizes specifications can be chosen
- Easily grip arc handle design
- Multiple holes installation, more solid

Specification

- Material: Stainless Steel(SUS304)
- Finish: Bright Polishing

Application

- Exterior and interior door, industrial equipment doors, Industrial equipment

Date of delivery

- Common product inquiry is welcome

订货号 Item No.	RoHS	GAD	L1	L2	L3	L4	L5	P	H1	H2	H3	T	重量(g) Weight(g)	
SK4-8082-1	●	□	2D	176	98	130	9	69	132	15	18	56	15	320
SK4-8082-2	●	□	2D	153	75	107	9	64	109	15	16	51	14	240
SK4-8082-3	●	□	2D	144	68	98	8	61	100	14	14	48	13	240

● Refers to the product instructed by RoHS ▲ Refers to the replaceable product instructed by RoHS